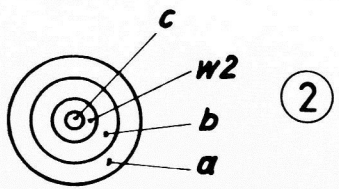
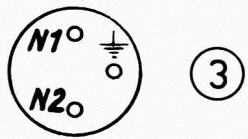


①

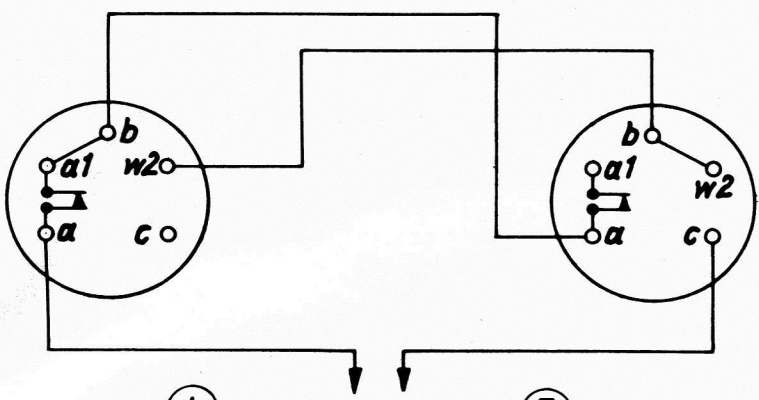


②



③

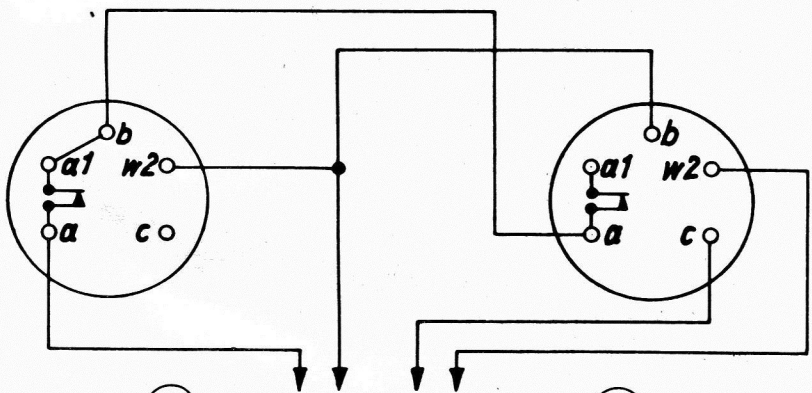
3



④

⑤

⑥



④

⑤

⑦

4



2

- 1a = governor
- 1b = motor
- 2 = for motor series VNC 1935, 1945
- 3 = for motor series A 4045
- 4 = base plate
- 5 = bottom view
- 6 = side view
- 7 = transmitter
- 8 = idle
- 9 = oil repellent
- 10 = wire No.
- 11 = remarks
- 12 = type of wire

3

Plug Connections

- 1 = connecting plug
- 2 = telegraph plug
- 3 = mains plug

44

- 1 = to mains
- 2 = radio interference suppressor EF 1
- 3 = remote on/off magnet
- 4 = synchronous motor
- 5 = transmitter unit
- 6 = automatic break magnet
- 7 = send contacts
- 8 = only with remote on/off magnet installed

1

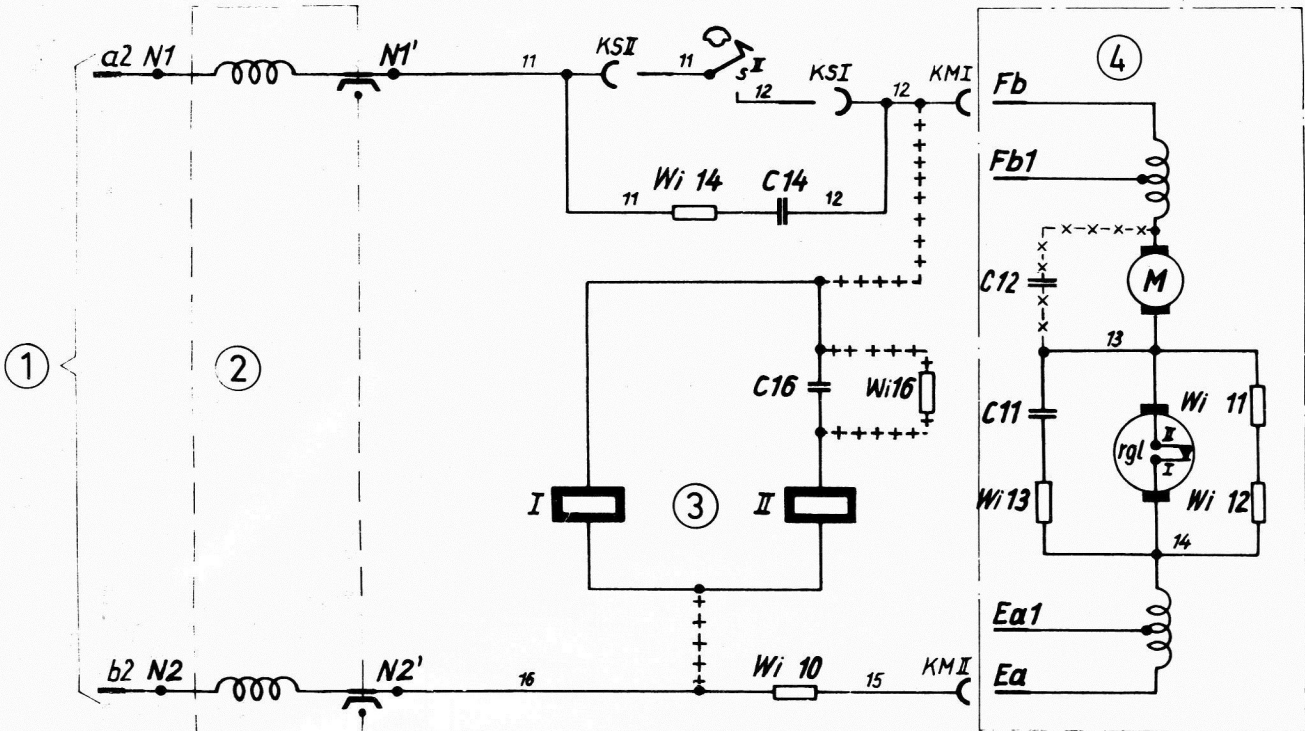
- 1 = mains
- 2 = radio interference suppressor EF 1
- 3 = remote on/off magnet
- 4 = motor
- 5 = transmitter unit
- 6 = automatic break magnet
- 7 = send contacts
- 8 = only with remote on/off magnet installed
- 9 = only with motor for 220 v A.C./220 v D.C.

4

Wiring of Connecting Sockets for Combined Tapetransmitter/Teleprinter Operation

- 4 = tapetransmitter
- 5 = teleprinter
- 6 = for one-way traffic
- 7 = for two-way traffic





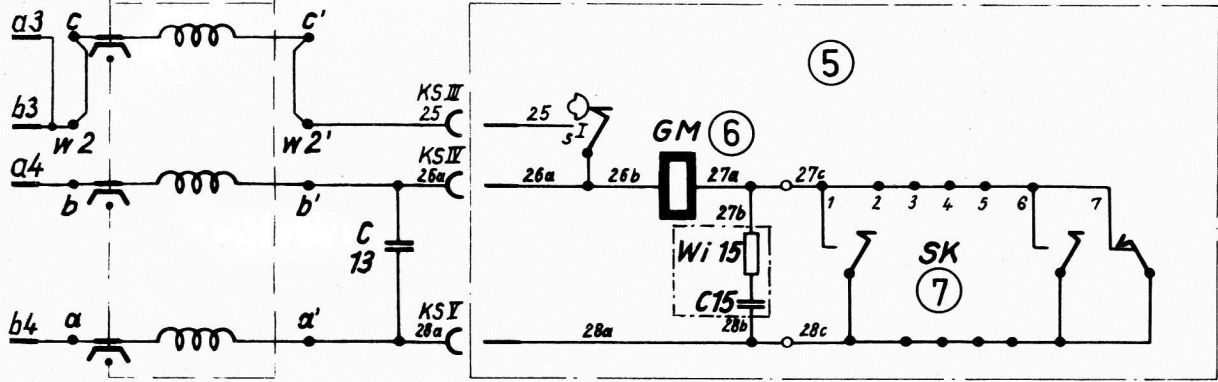
①

②

④

③

⑤



+++++ ⑧

-x-x-x-x-x- ⑨

1

