

8251A PROGRAMMABLE COMMUNICATION INTERFACE

- Synchronous and Asynchronous Operation
- Synchronous 5–8 Bit Characters; Internal or External Character Synchronization; Automatic Sync Insertion
- Asynchronous 5–8 Bit Characters; Clock Rate—1, 16 or 64 Times Baud Rate; Break Character Generation; 1, 1½, or 2 Stop Bits; False Start Bit Detection; Automatic Break Detect and Handling
- Synchronous Baud Rate—DC to 64K Baud
- Asynchronous Baud Rate—DC to 19.2K Baud
- Full-Duplex, Double-Buffered Transmitter and Receiver
- Error Detection—Parity, Overrun and Framing
- Compatible with an Extended Range of Intel Microprocessors
- 28-Pin DIP Package
- All Inputs and Outputs are TTL Compatible
- Available in EXPRESS and Military Versions

The 8251A is the industry standard Universal Synchronous/Asynchronous Receiver/Transmitter (USART) designed for data communications with microprocessor families such as MCS-48, 80, 85, and iAPX 86, 88. The 8251A is used as a peripheral device and is programmed by the CPU to operate using virtually any serial data transmission technique presently in use (including IBM "bi-sync"). The USART accepts data characters from the CPU in parallel format and then converts them into a continuous serial data stream for transmission. Simultaneously, it can receive serial data streams and convert them into parallel data characters for the CPU. The USART will signal the CPU whenever it can accept a new character for transmission or whenever it has received a character for the CPU. The CPU can read the complete status of the USART at any time. These include data transmission errors and control signals such as SYNDET, TxEMPTY. The chip is fabricated using Intel's high performance HMOS technology.

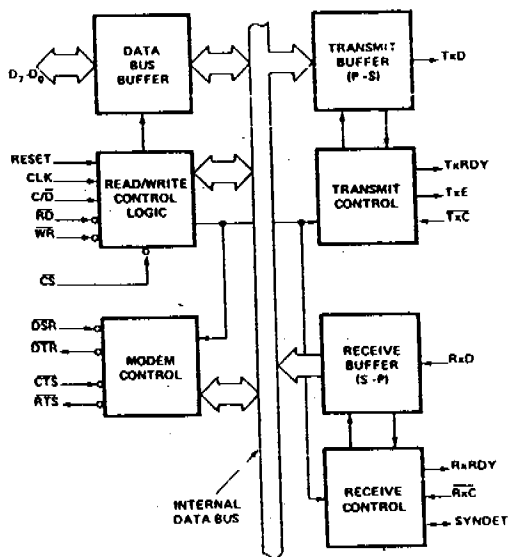


Figure 1. Block Diagram

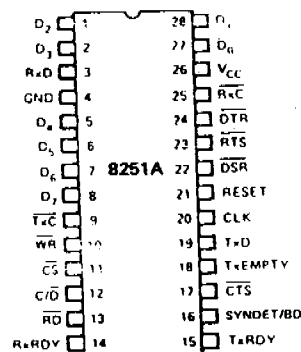


Figure 2. Pin Configuration

*** For complete Rochester ordering guide, please refer to page 2 ***

Rochester Electronics guarantees performance of its semiconductor products to the original OEM specifications. "Typical" values are for reference purposes only. Certain minimum or maximum ratings may be based on product characterization, design, simulation, or sample testing. Rochester Electronics reserves the right to make changes without further notice to any specification herein.

8251A

Rochester Ordering Guide

Rochester Part Number	OCM Part Number	Package	Temperature
D8251A	D8251A	DIP-28	0° to +70°C
ID8251A	ID8251A	DIP-28	-40° to +85°C
LD8251A	LD8251A	DIP-28	-40° to +85°C
P8251A	P8251A	DIP-28	0° to +70°C
QD8251A	QD8251A	DIP-28	0° to +70°C
QP8251A	QP8251A	DIP-28	0° to +70°C
TD8251A	TD8251A	DIP-28	-40° to +85°C

8251A

Operating Conditions

Symbol	Description	Min	Max	Units
TC	Case Temperature (Instant On)	0	+70	°C
VCC	Digital Supply Voltage	4.5	5.5	V

D.C. Characteristics (Over Specified Operating Conditions)

Symbol	Parameter	Min	Max	Unit	Comments
VIL	Input Low Voltage		0.8	V	
VIH	Input High Voltage	2.0		V	
VOL	Output Low Voltage		0.45	V	IOL = 2.2 mA
VOH	Output High Voltage	2.4		V	IOL = -400 μ A
IOFL	Output Float Leakage		\pm 10	μ A	VOUT = VCC to 0.45V
IIL	Input Leakage		\pm 10	μ A	VIN = VCC to 0.45V
ICC	Power Supply Current		100	mA	(Note 9)

CAPACITANCE TC = 25°C; VCC = GND = 0V

Symbol	Parameter	Min	Max	Unit	Comments
CIN	Input Capacitance		10	pF	FC = 1 MHz Unmeasured Pins Returned to GND
CI/O	I/O Capacitance		20	pF	

A.C. Characteristics (Over Specified Operating Conditions)

Bus Parameters (Note 1)

Read Cycle

Symbol	Parameter	Min	Max	Unit	Comments
tAR	Address Stable Before READ (CS, C/D)	0		ns	(Note 2)
tRA	Address Hold Time for READ (CS, C/D)	0		ns	(Note 2)
tRR	READ Pulse Width	250		ns	
tRD	Data Delay form READ		200	ns	(Note 3)
tDF	READ \uparrow to Data Floating	10	100	ns	

A.C Characteristics (Over Specified Operating Conditions)

Write Cycle

Symbol	Parameter	Min	Max	Unit	Comments
tAW	Address Stable Before WRITE	0		ns	
tWA	Address Hold Time for WRITE	20		ns	
tWW	WRITE Pulse Width	250		ns	
tDW	Data Set-Up Time for WRITE	150		ns	
tWD	Data Hold Time for WRITE	20		ns	

8251A

Other Timings

Symbol	Parameter	Min	Max	Unit	Comments
tCY	Clock Period	320	1350	ns	(Notes 4,5)
t _ø	Clock High Pulse Width	120	tCY -90	ns	
t _ø	Clock Low Pulse Width	90		ns	
tR, tF	Clock Rise and Fall Time		20	ns	
fTx	Transmitter Input Clock Frequency 1x Baud Rate 16x Baud Rate 64x Baud Rate	DC DC DC	64 310 615	KHz KHz KHz	
tTPW	Transmitter Input Clock Pulse Width 1x Baud Rate 16x and 64x Baud Rate	12 1		tCY tCY	
tTPD	Transmitter Input Clock Pulse Delay 1x Baud Rate 16x and 64x Baud Rate	15 3		tCY tCY	
fRx	Receiver Input Clock Frequency 1x Baud Rate 16x Baud Rate 64x Baud Rate	DC DC DC	64 310 615	KHz KHz KHz	
tRPW	Receiver Input Clock Pulse Width 1x Baud Rate 16x and 64x Baud Rate	12 1		tCY tCY	
tRPD	Receiver Input Clock Pulse Delay 1x Baud Rate 16x and 64x Baud Rate	15 3		tCY tCY	
tTxRDY	TxDY Pin Delay from Center of Last Bit		14	tCY	(Note 6)
tTxRDY CLEAR	TxDY ↓ from Leading Edge of WR		400	ns	(Note 6)
tRxRDY	RxDY Pin Delay from Center of Last Bit		26	tCY	(Note 6)
tRxrdy CLEAR	RxDY ↓ from Leading Edge of RD		400	ns	(Note 6)
tIS	Internal SYNDET Delay from Rising Edge of Rx C		26	tCY	(Note 6)
tES	External SYNDET Set-Up Time After Rising Edge of Rx C	16	(Note 7)	tCY	(Note 6,8)
tTxEMPTY	TxEMPTY Delay from Center of Last Bit		20	tCY	(Note 6)
tWC	Control Delay from Rising Edge of WRITE (TxEn, DTR, RTS)		8	tCY	(Note 6)
tCR	Control to READ Set-up Time (DSR, CTS)	20		tCY	(Note 6)

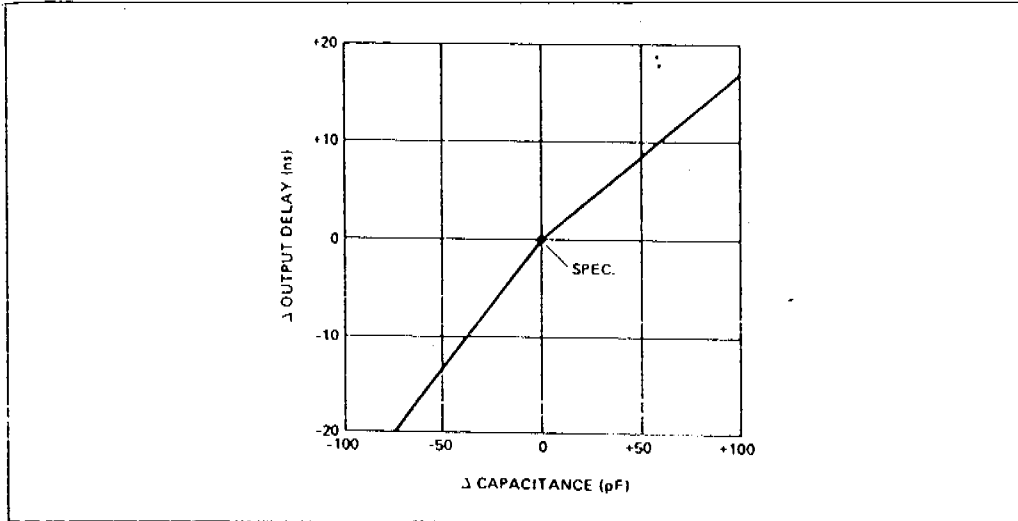
NOTES:

1. AC timings measured V_{OH} = 2.0, V_{OL} = 0.8.
2. Chip Select (CS) and Command/Data (C/D) are considered as Addresses.
3. Assumes that Address is valid before RD ↓.
4. The Tx C and Rx C frequencies have the following limitations with respect to CLK:
For 1x Baud Rate, f_{TX} or f_{Rx} ≤ 1/(30 tCY):
For 16x and 64x Baud Rate, f_{TX} or f_{Rx} ≤ 1/(4.5 tCY).
5. Reset Pulse Width = 6 tCY minimum; System Clock must be running during Reset.
6. Status update can have a maximum delay of 28 clock periods from the event affecting the status.
7. Before falling edge of Rx C.
8. In external synch mode the tES spec. requires the ratio of the system clock (CLK) to receive or transmit bit ratios to be greater than 34.
9. ICC is measured in a static condition with outputs in the worst condition with all outputs unloaded.

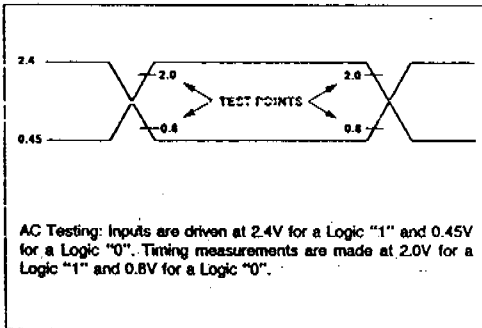
8251A

A.C. CHARACTERISTICS (Continued)

TYPICAL Δ OUTPUT DELAY VS. Δ CAPACITANCE (μF)



A.C. TESTING INPUT, OUTPUT WAVEFORM



A.C. TESTING LOAD CIRCUIT

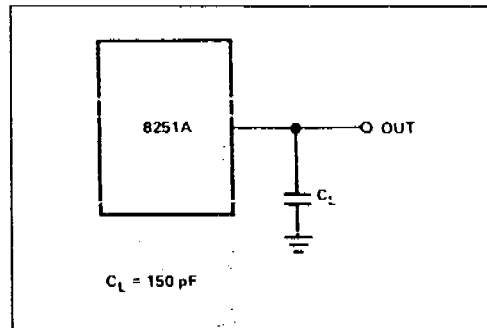
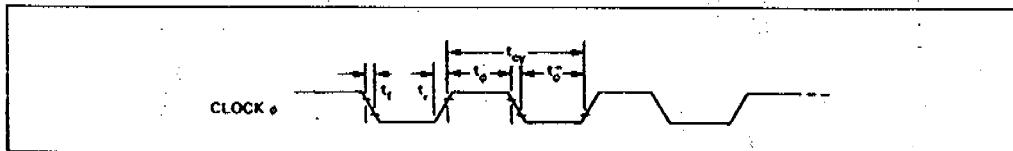


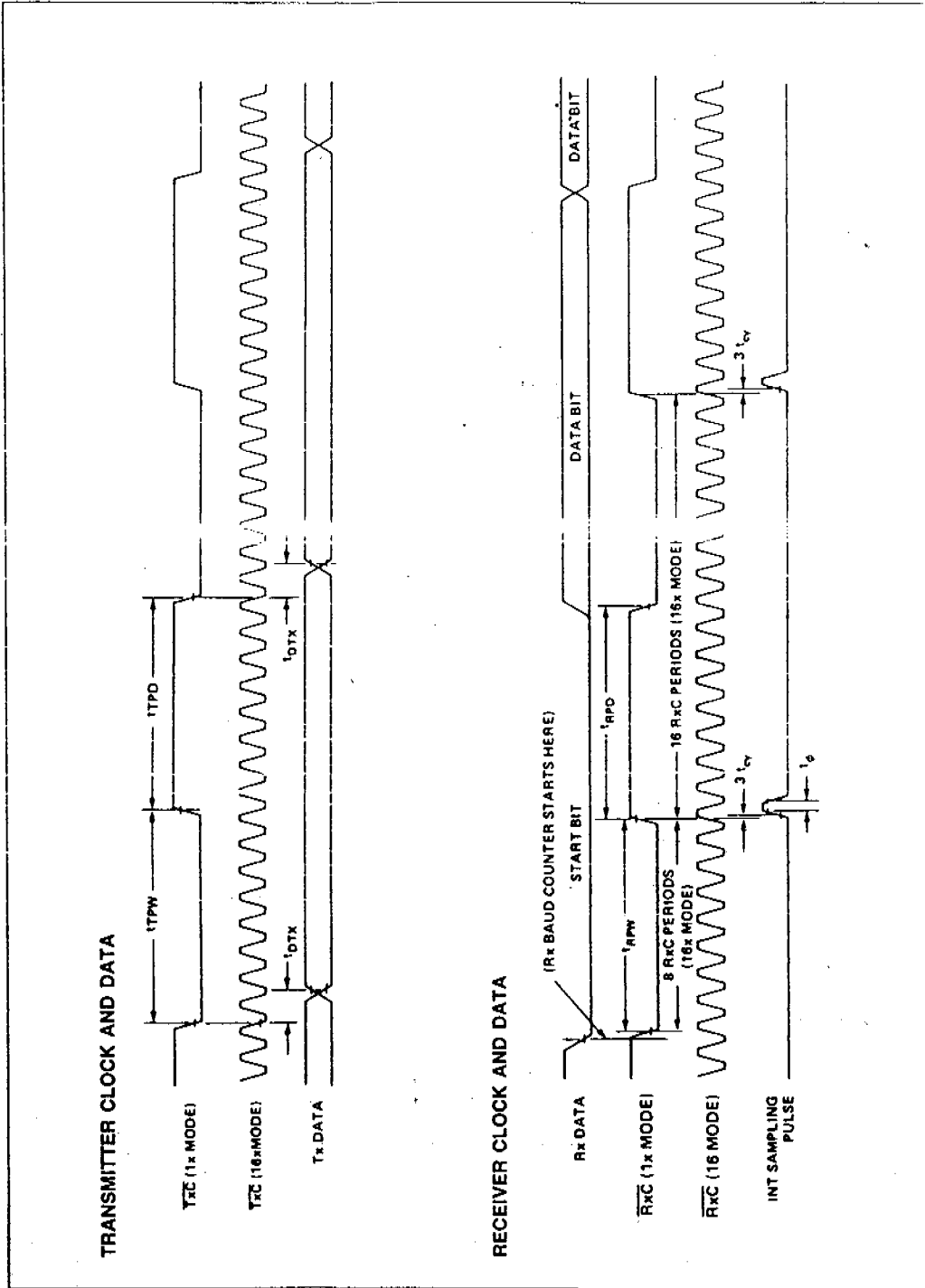
Figure 18

WAVEFORMS

SYSTEM CLOCK INPUT

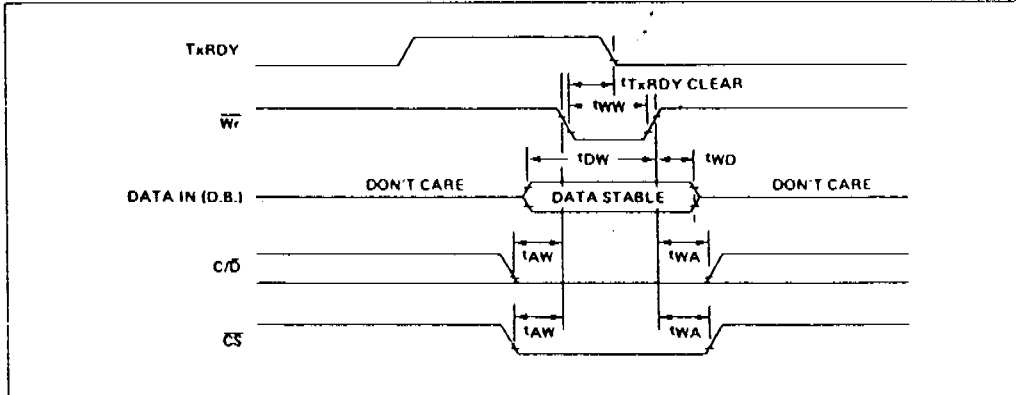


WAVEFORMS (Continued)

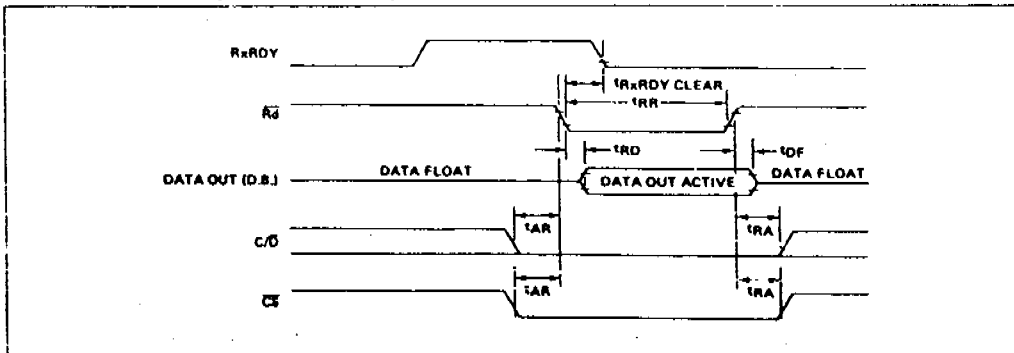


WAVEFORMS (Continued)

WRITE DATA CYCLE (CPU → USART)



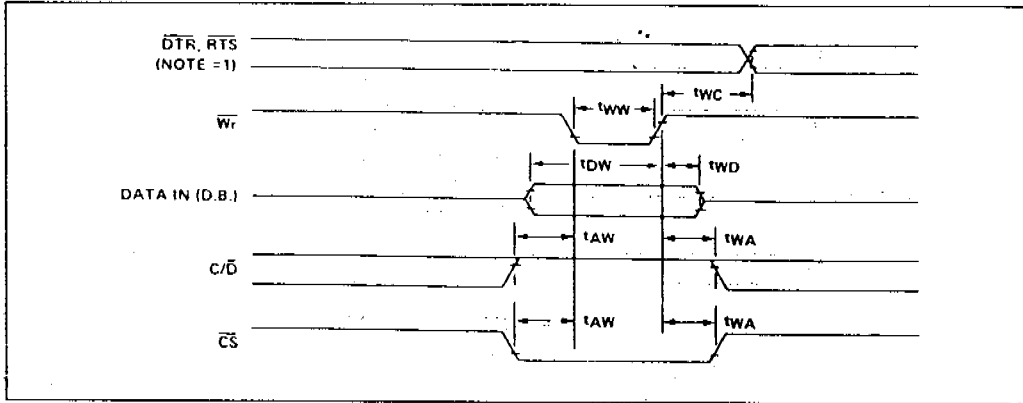
READ DATA CYCLE (CPU ← USART)



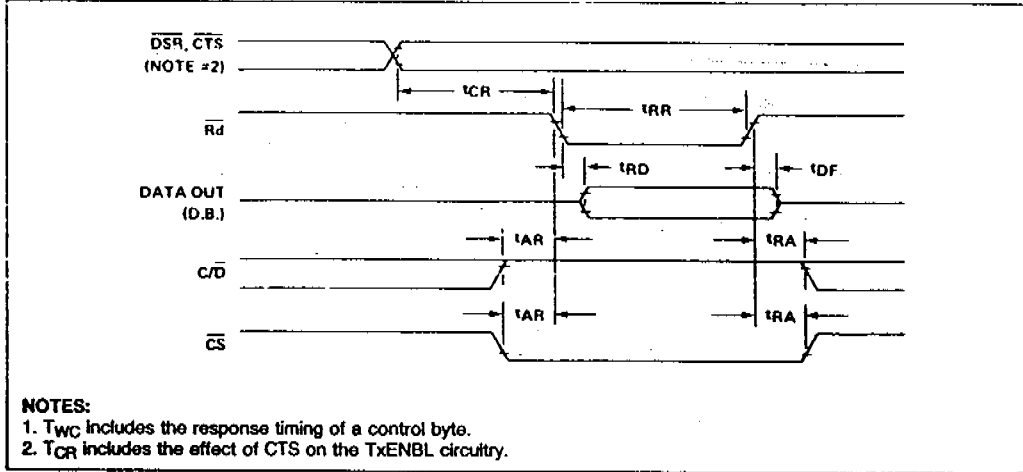
8251A

WAVEFORMS (Continued)

WRITE CONTROL OR OUTPUT PORT CYCLE (CPU → USART)

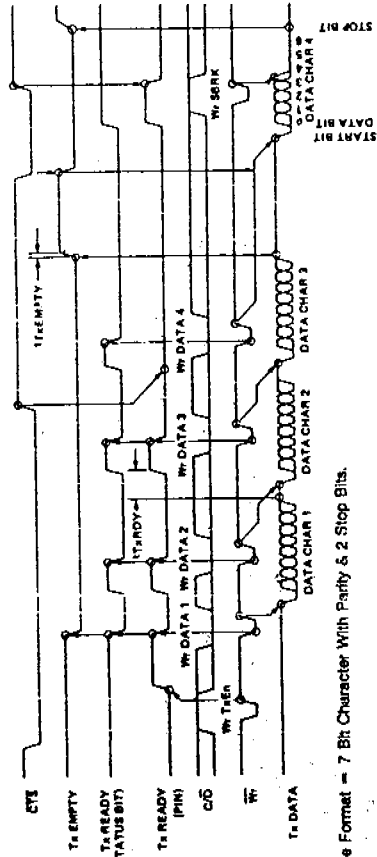


READ CONTROL OR INPUT PORT (CPU ← USART)

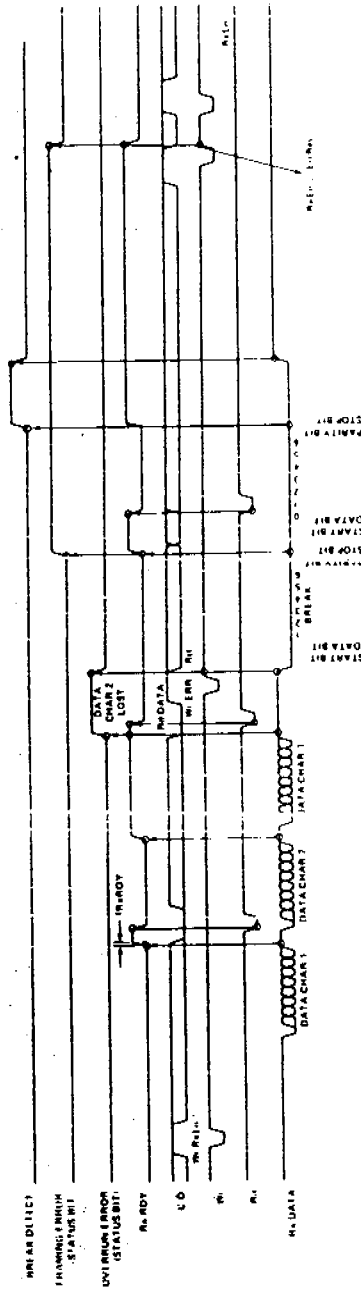


WAVEFORMS (Continued)

TRANSMITTER CONTROL AND FLAG TIMING (ASYNC MODE)



RECEIVER CONTROL AND FLAG TIMING (ASYNC MODE)



WAVEFORMS (Continued)

