

TUNE/SEND/RECEIVE SWITCH

COIL HOLDER

EARTH TERMINAL

AERIAL MATCHING

ANODE TUNING

AERIAL LINK

AERIAL TRIMMERS

OSC. TRIMMERS

SPARES BOX.

- CONTENTS:-
- 4 TRANSMITTER COILS
 - 1 6L6G VALVE
 - 1 EL32 "
 - 1 7Q7 "
 - 1 7R7 "
 - 5 FUSES, 10 AMP
 - 5 " 500MA. + 2.1. AMP fuses
 - 1 TELEGRAPH KEY
 - 1 PAIR HEADPHONES
 - 1 MAINS LEAD
 - 1 BATTERY LEAD
 - 2 CONTINENTAL PLUG-PINS
 - 1 ADAPTOR. 2PIN/BAYONET CAP
 - 1 " EDISWAN SCREW/B.C.
 - 1 AERIAL WIRE (100 FT)
 - 1 EARTH " (10 FT)
 - 1 SCREWDRIVER
 - 1 OPERATING CHART (IN COVER)

CRYSTAL HOLDER

WAVEBAND

P.A. GRID TUNING

METER SELECTOR

METER

AERIAL TERMINAL



MAINS SELECTOR PLUGS

MAINS/BATTERY SELECTOR

CRYSTAL SELECTOR

KEY SOCKET

VOLTAGE SELECTOR PANEL

BATTERY/MAINS SELECTOR PANEL

6V. BATTERY LEAD

A.C. MAINS LEAD

ON/OFF SWITCH

TRANSMITTER PLUG

RECEIVER PLUG

WAVEBAND

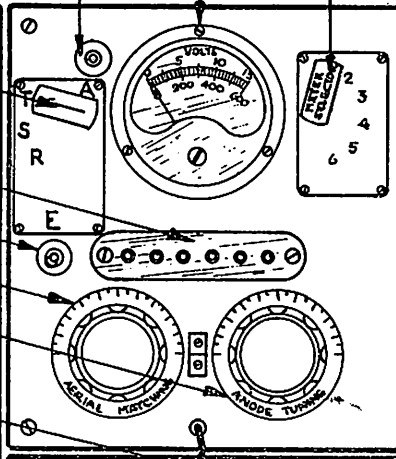
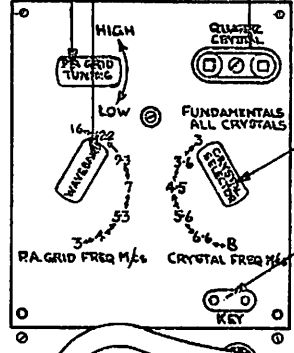
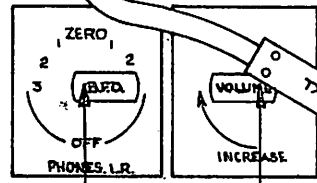
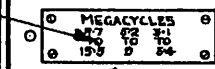
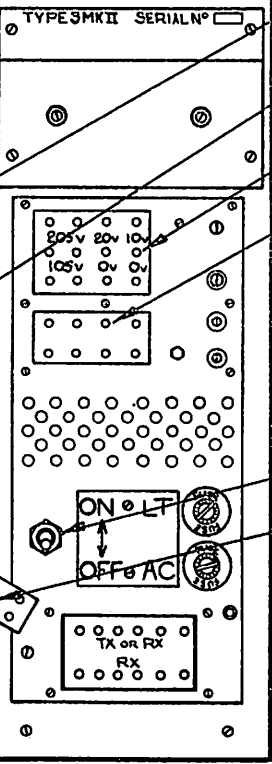
COARSE TUNE

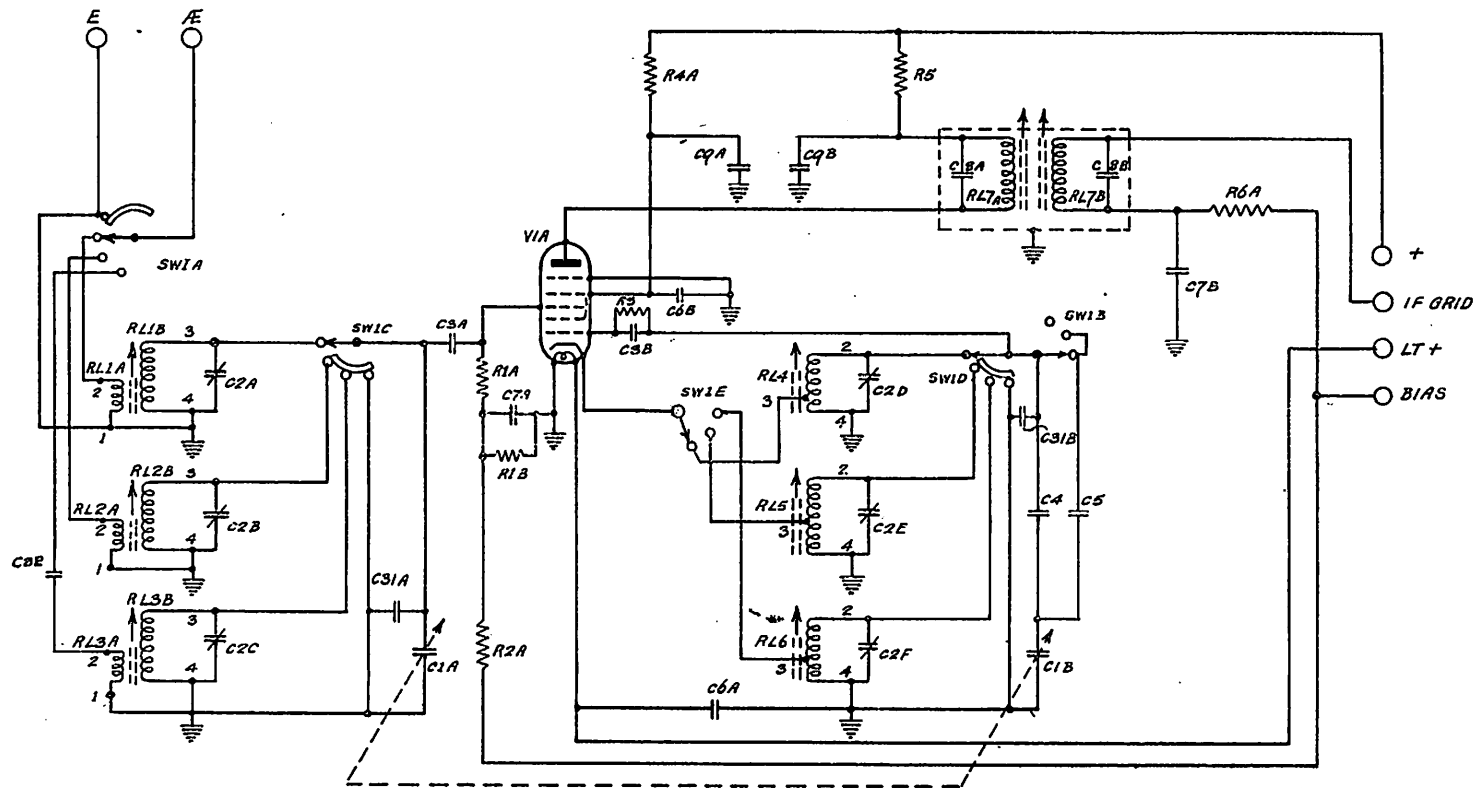
FINE TUNE

PHONE SOCKET

B.F.O.

VOLUME



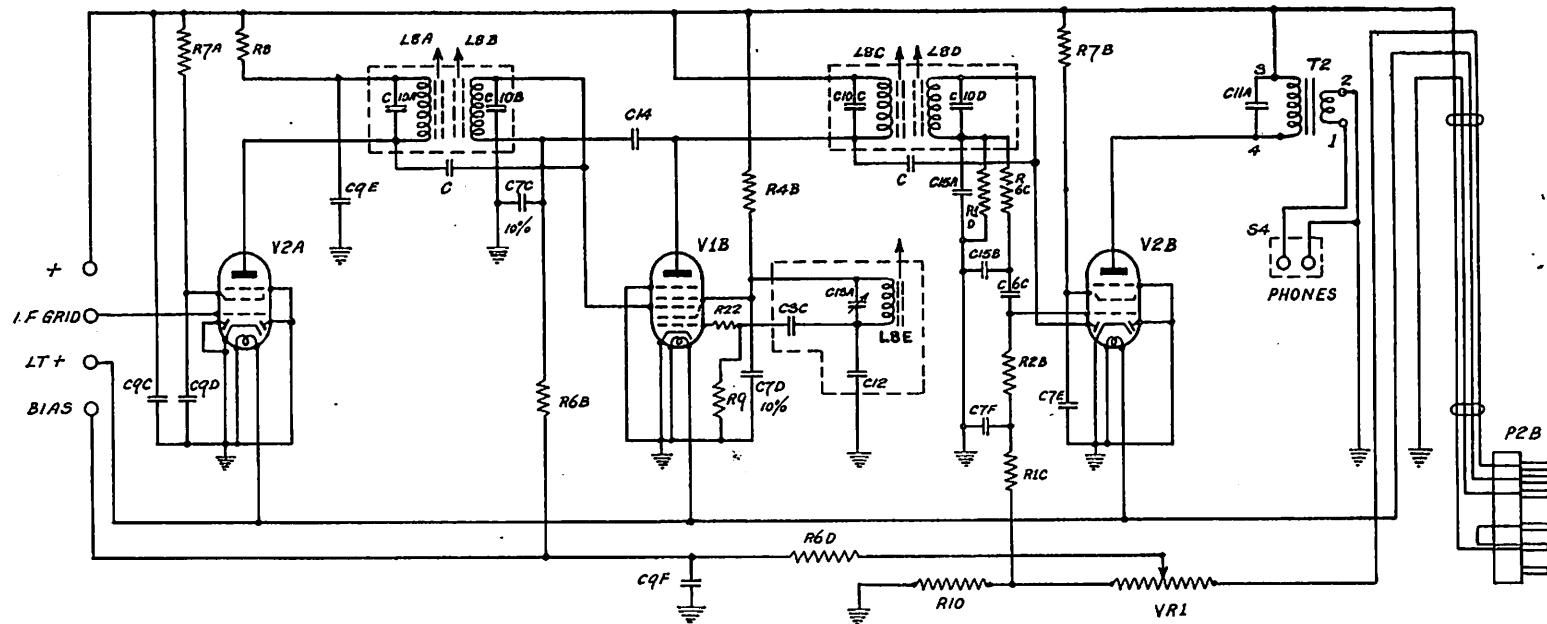


| | | | | | |
|---------|---------------------------------------|--------|---|----------|--|
| VIA | 7Q7 | C7 A-B | .01 μ f 250v. D.C. Wkq. Mica. | R4A | 20,000 Ω \pm 5% wirewound. 6w |
| SW1 A-F | 3 Deck Rotary. 6 pole, 3 way. | C8 A-B | 110 μ f \pm 2 μ f. Silver Mica. | R5 | 5,000 Ω 1/2w " |
| C1 A-B | 2 gang 90 μ f. | C9 A-B | .1 μ f A.M. 10c/402L. Metal casad. paper. | R6A | 150,000 Ω 1/10w |
| C2 A-F | Trimmer 2-9 μ f. K0250q | C31A-B | 6-8 pf ceramic. | RL1(A-B) | Aerial coil 8.7-15.2 mcs |
| C3 A-B | 100 μ f \pm 10% tubular ceramic | R1A | 1 Megohm. 1/10w. | RL2(A-B) | " " 5.2-9.04 " |
| C4 | 700 μ f -2% +1% Silver Mica | R1B | 1 Megohm 1/10w. | RL3(A-B) | " " 3.1-5.4 " |
| C5 | 600 μ f -0% +3% Silver Mica | R2A | 4 Megohms. 1/10w. | RL4 | Oscillator coil 8.7-15.2 " |
| C6 A-B | .001 μ f 250v. D.C. Wkq. Mica. | R3 | 20,000 1/10 w. | RL5 | " " 5.2-9.04 " |
| C32 | 50 μ f \pm 10% | | | RL6 | " " 3.1-5.4 " |
| | | | | RL7A-B | I.F. Coil 470 Kcs. 7/45 Litz. |

NOTE: When C2 A-F are 4-21 μ f, "C31 A-B" (6-8 pf) are not required.

TOLERANCES ON CONDENSERS \pm 25%
 " " RESISTANCES \pm 20% } unless otherwise stated.

| DESCRIPTION | DRAWN | DATE | DRG. NO. |
|--|--------|----------|----------|
| RECEIVER-FREQUENCY CHANGER UNIT. (3MKII) | L.M.W. | 24-11-42 | R5081 |



| | | | | | |
|--------|--|--------|--|-------|--|
| V1B | 7A7 | C15A-B | 100 μ f \pm 20% Silver Mica moulded. | R6D | 470,000 Ω 1/10w. |
| V2A-B | 7R7 | C | 2pf +0 -1pf. Ceramic. | VR1 | 100,000 Ω Potentiometer. C.T. log law. |
| C3C | 100 μ f \pm 10% Tubular Ceramic | R1C | 1 Megohm 1/10w. | R22 | 50 Ω 1/10w Parasitic stopper. |
| C6C | .001 μ f 250v D.C. Wkg. Mica. | R1D | 1 Megohm 1/10w. | T2 | Transformer, Type 210. Ratio 15-1. |
| C7C-D | .01 μ f \pm 10% 250v D.C. Wkg. Mica. | R2B | 4 Megohms 1/10w. | | |
| C7E-F | .01 μ f \pm 25% " " " " | R4B | 20,000 Ω \pm 5% Wirewound. 6w. | | |
| C9C-F | .1 μ f A.M. 10C/4021. Metal cased paper. | R6B | 150,000 Ω 1/10w. | L8A-E | I.F. Coil. 470 KC/5 T/45 LITZ. |
| C10B-D | 220 pf Silver Mica \pm 4pf | R6C | 150,000 Ω 1/10w. | | |
| C11A | .002 μ f 350v D.C. Wkg. Mica. | R7A-B | 100,000 Ω 1/4 w. Insulated. | S4 | Telephone Socket. |
| C12 | 1000 pf Silver Mica \pm 20pf | R8 | 1000 Ω 1/2 w. Wirewound | | |
| C13A | 25 pf. Variable (3 point fix.) | R9 | 20,000 Ω 1/10w. | P2B | Cable Plug. |
| C14 | 6 pf \pm 20%. Ceramic. | R10 | 40,000 Ω 1/10w | | |

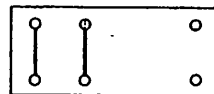
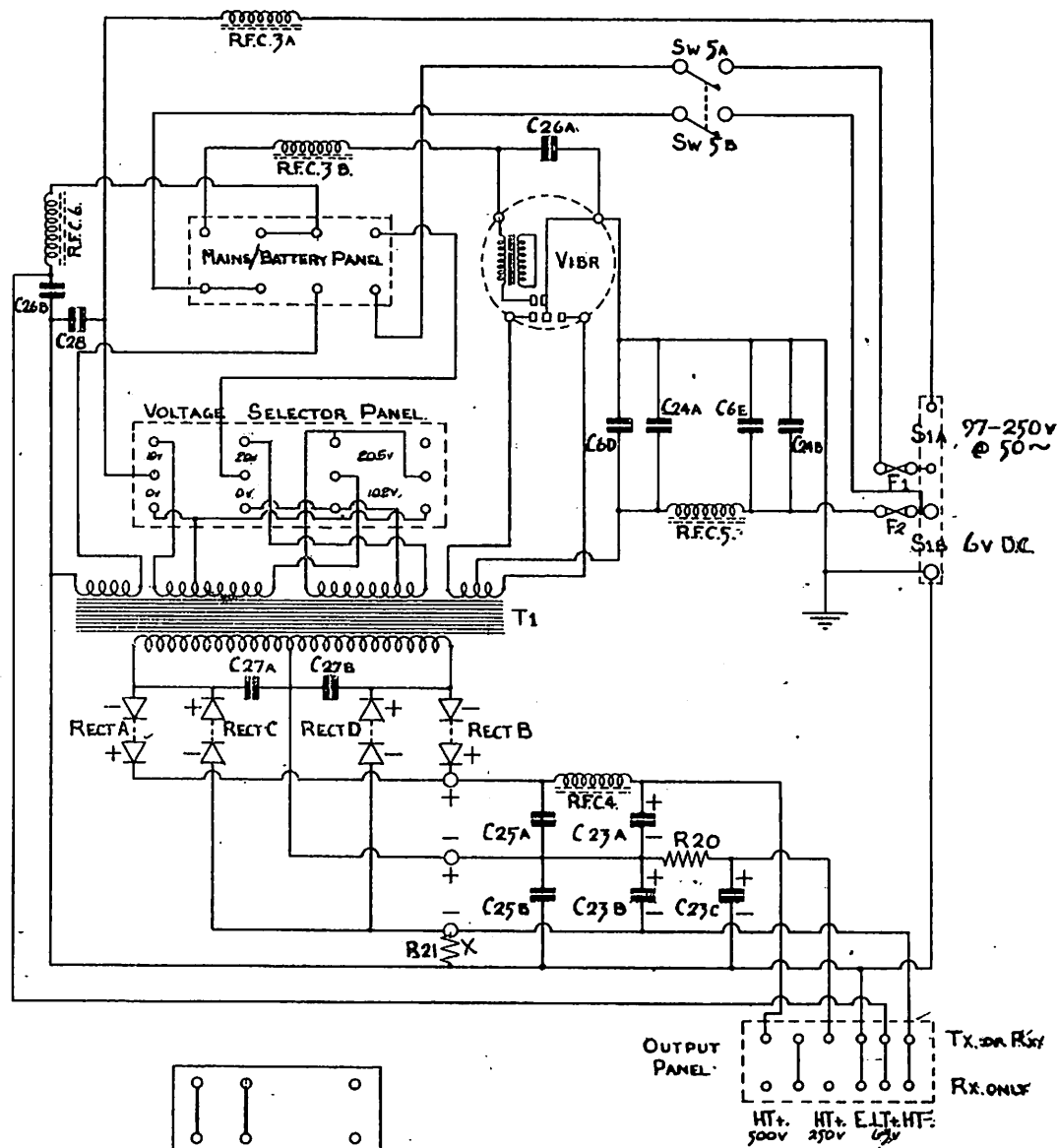
TOLERANCES ON CONDENSERS. \pm 25%
RESISTANCES. \pm 20% unless otherwise stated

| DESCRIPTION | DRAWN | DATE | DRG. NO. |
|----------------------------|--------|----------|----------|
| RECEIVER I.F. UNIT. 3MK II | L.H.W. | 26 11/42 | R5082 |

| CODE | DESCRIPTION |
|----------|--|
| T1 | COMBINED TRANSFORMER. |
| VIBR | 6VOLT NON SYNCHRONOUS VIBRATOR. |
| RECT-A-D | WESTALITE SELENIUM 30 DISC RECTIFIER. |
| C23A-C | 16MFD 350V, WORKING, ELECTROLYTIC. |
| C24A&B | .5MFD 50V, DC WORKING. (PAPER) |
| C25A&B | .1MFD 450V, DC WORKING. (PAPER) |
| C26A&B | .1MFD 350V, DC WORKING. (PAPER) |
| C27A&B | .04 MFD 300V, AC WORKING, 115c/s (PAPER) |
| C28 | .006, MFD 300V, AC WORKING, 115c/s (PAPER) |
| C6D&E | .001 MFD 250V, DC WORKING (MICA) |
| RFC.3A&B | IRON DUST CORED CHOKE (74 SWG. D.S.C.) |
| RFC.4. | IRON DUST CORED CHOKE (78 SWG. D.S.C.) |
| RFC.5. | IRON DUST CORED CHOKE (14 SWG. ENAM) |
| RFC.6. | IRON DUST CORED CHOKE (22 SWG. D.S.C.) |
| R.20. | 1300Ω ±5% 3W WIREWOUND RESISTOR. |
| R.21. | 500Ω ±5% 1½W WIREWOUND RESISTOR. |
| Sw 5A&B | DOUBLE POLE ON-OFF TOGGLE SWITCH. |
| S1A | 2 AMP MAINS PLUG PANEL |
| S1B | 5 AMP BATTERY PLUG PANEL |
| F1 | 500MA FUSE. BELLING LEE. L37B. |
| F2 | 7½ AMP FUSE. BULGIN F35. |

UNLESS OTHERWISE STATED TOLERANCES ON:-
CONDENSERS ±25%
RESISTORS ±20%

NOTE: IN THIS CIRCUIT DIAGRAM ALL THE SOCKET PANELS
ARE AS SEEN FROM THE UNDERSIDE.



MAINS/BATTERY CHANGE OVER PLUG
SHOWING CONNECTIONS.

REV. A. LEAD TO SW5B WAS
TAKEN FROM POWER PACK
SIDE OF FUSE. 11.6.43.

| DESCRIPTION | DRAWN | SCALE | DATE | DRAWING N° |
|--|--------|-------|---------|------------|
| MODEL 3/II CIRCUIT DIAGRAM FOR MODEL 3/II POWER PACK | G.H.R. | - | 27/1/42 | CD 2037. |