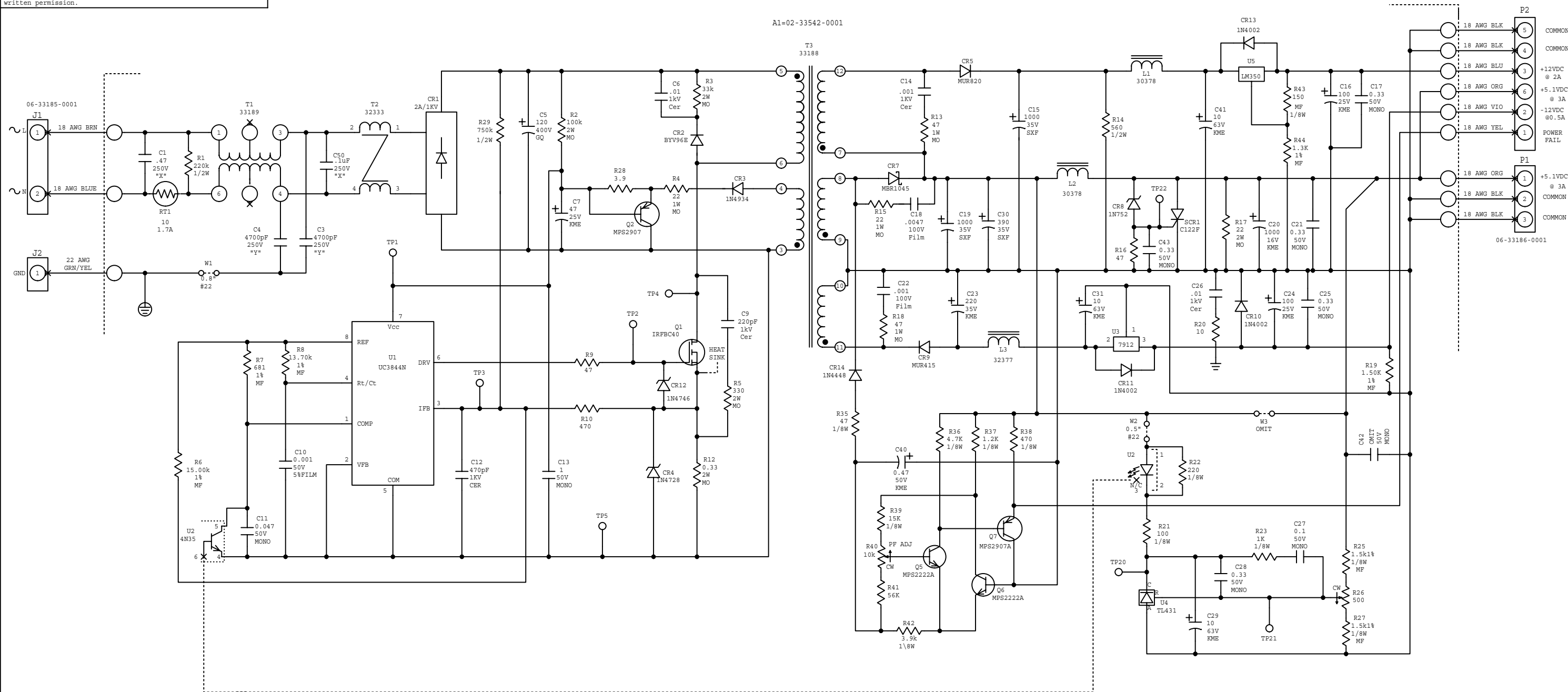


The drawing and specifications, herein, are the property of Condor DC Power Supplies Inc and shall not be reproduced or copied or used in whole or in part as the basis for the manufacture or sale of items without written permission.

A1=02-33542-0001

06-33187-0001



REF	LAST	NOT USED
C	50	2, 8, 32-39, 44-49
CR	14	6
F	0	
J	2	
L	3	
Q	7	4
R	44	11, 24, 30-34, 39-42
T	3	
U	6	
W	3	

NOTES:

- 1) Unless otherwise specified, all resistors are 1/4W, 5% CF.
- 2) Unless otherwise specified, all capacitor values are stated in microfarads.

CONTRACT NO.		 DC POWER SUPPLIES INC.	OXNARD, CA	
APPROVALS			(805) 486-4565	
DATE		SCHEMATIC,		
DRAWN IKEL		SP1348A		
CHECKED		DATE	02-26-93	
REVISIONS		SIZE	DRAWING NO.	REV.
20154	G	20154	31-SP1348A	G
9104	F	9104		
7634	E	7634		
5723	D	5723		
5652	C	5652		
5648	B	5648		
	A			
ECO#	LTR	DESCRIPTION	DATE	APPROVED
SCALE		FILE SEE DWG & REV #	SHEET 1 OF 1	

ECO#	LTR	DESCRIPTION	DATE	APPROVED
20154	G	CHG ON Q1,R9	6/20/00	RMc
9104	F	CHG ON C43 P/N ONLY	7/15/97	RMc
7634	E	AUTO-INSERT UPDATE	7/12/96	DF
5723	D	CHG ON R6	4/28/94	BR
5652	C	CHG ON C42	02/08/94	BR
5648	B	CHG ON C5,R9,J1-1,2,P1-1,P2-6	01/09/94	BR
	A	INITIAL RELEASE TO PRODUCTION	06/23/93	BR