

FIG. 1 MODEL DAB RADIO DIRECTION FINDING EQUIPMENT  
FRONT VIEW

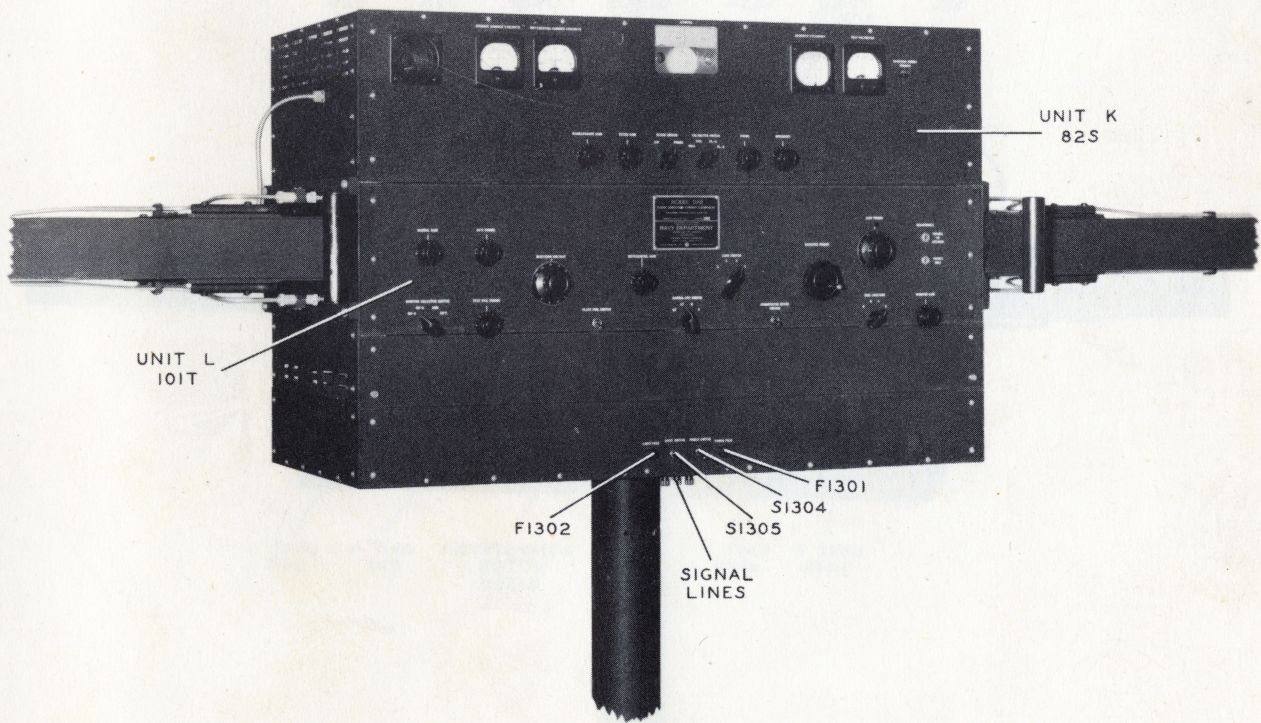


FIG 2 MAIN CABINET  
FRONT VIEW



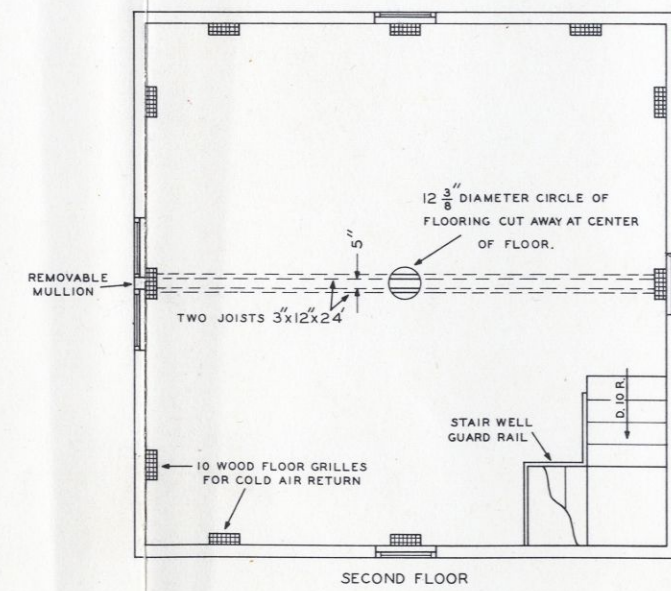
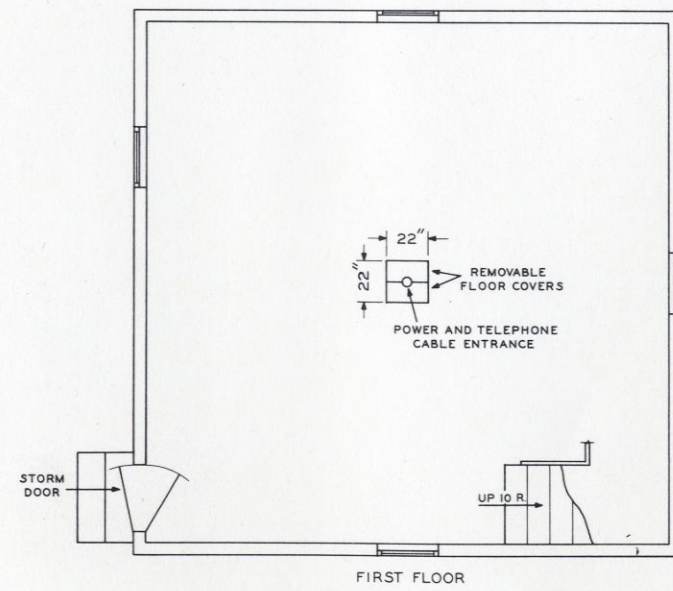
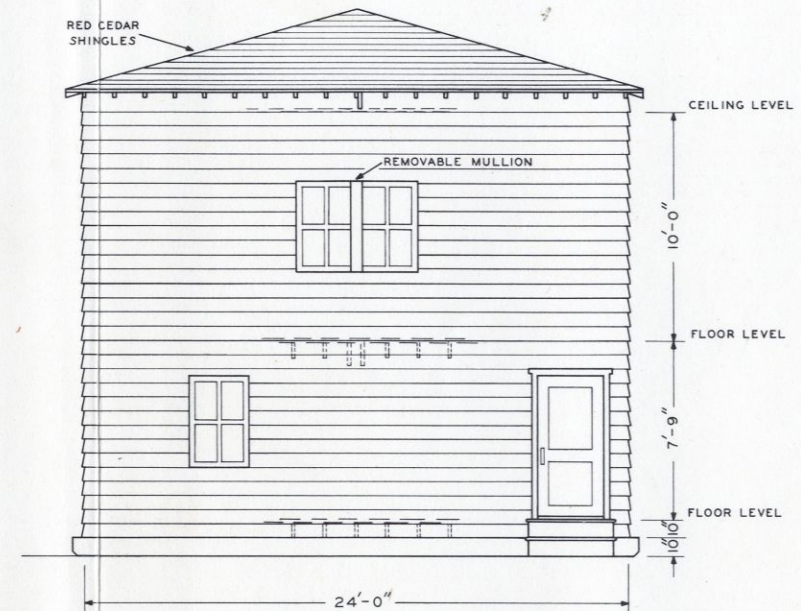
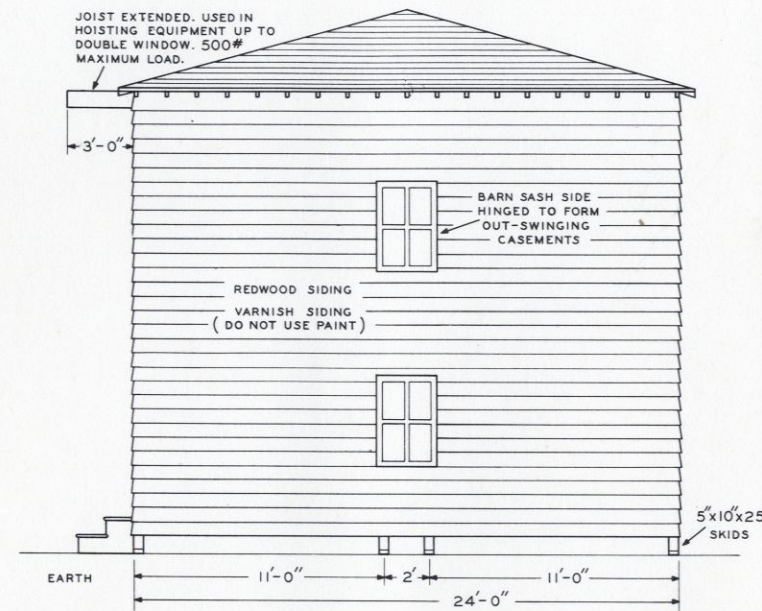




DO NOT SCALE DWG.

COLLINS RADIO COMPANY  
CEDAR RAPIDS, IOWA

UNIT: RECOMMENDED CONSTRUCTION FOR DIRECTION FINDER HOUSE										DWG. NO. K398D							
DESIGN: <i>R.D.W.</i>	DETAIL: R.E.G.	DATE: 3-23-42	REVISED:	DATE:	SCALE: 1/4" = 1'												
LAYOUT:	CHECK: <i>[Signature]</i>	DATE: 5-7-42															
QUANTITY						G	F	E	D	C	B	A	IT.	PART NO.	DESCRIPTION	MAT'L	FIN.





DO NOT SCALE DWG.

COLLINS RADIO COMPANY  
CEDAR RAPIDS, IOWA

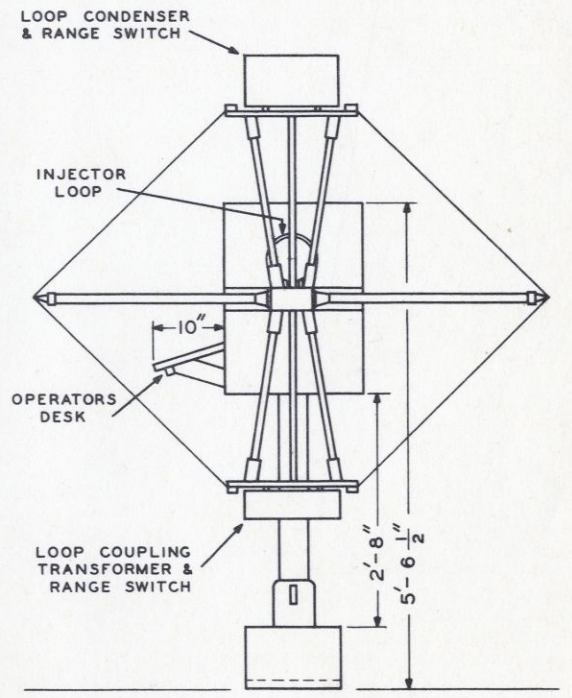
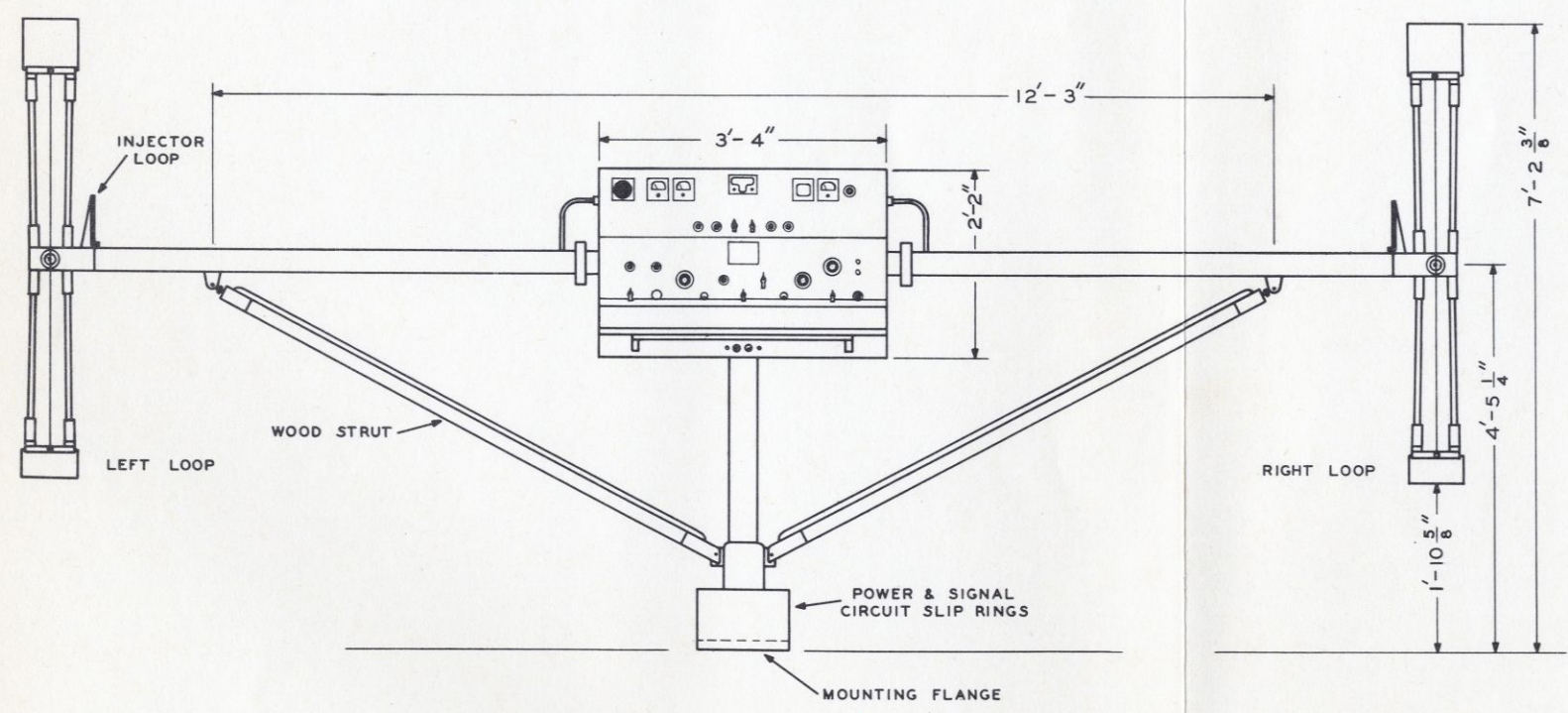
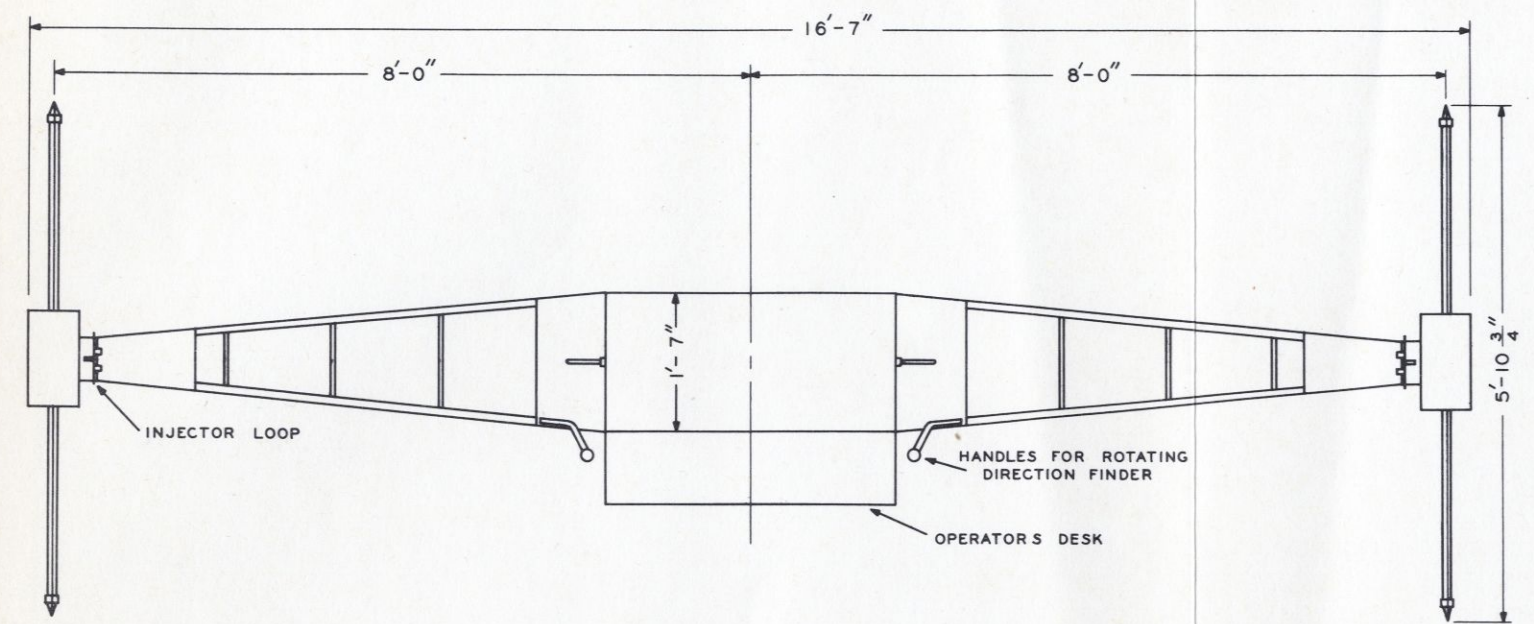
UNIT: OUTLINE DWG. OF DIRECTION FINDER - MODEL DAB

DWG. NO. K842C

DESIGN: P.P.W. DETAIL: REG DATE: 4-6-42  
LAYOUT: CHECK: DATE: 2-7-42

REVISED: DATE: SCALE 1/16" = 1"

QUANTITY										IT.	PART NO.	DESCRIPTION	MAT'L	FIN.



ALL FRACTIONAL DIMENSIONS ± 1/64  
ALL DECIMAL DIMENSIONS ± .005  
UNLESS OTHERWISE NOTED.



DO NOT SCALE DWG.

**COLLINS RADIO COMPANY**  
CEDAR RAPIDS, IOWA

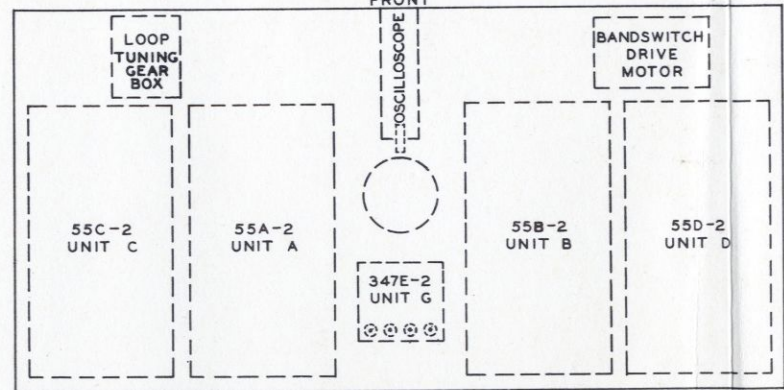
**UNIT: UNIT PLACEMENT DIAGRAM (330A-2)**

DWG. NO. K841C-1

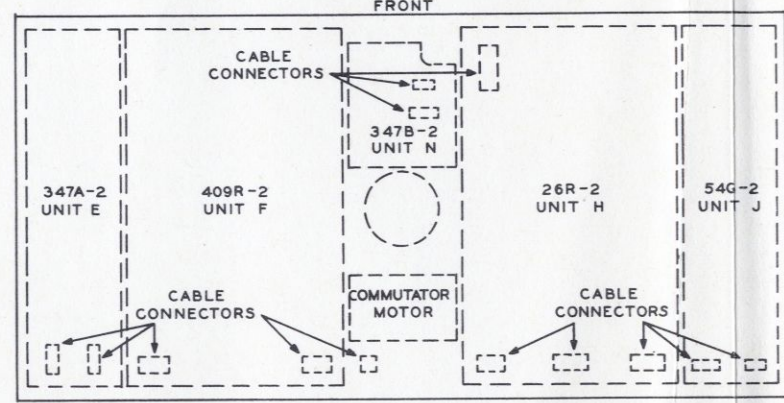
DESIGN: *R.W.* DETAIL: REG DATE: 4-21-42  
CHECK: *J.P.* DATE: 7-7-42 REVISED: T.B.S. D-1088 DATE: 6-23-42

QUANTITY										IT.	PART NO.	DESCRIPTION	MAT'L	FIN.
G	F	E	D	C	B	A								

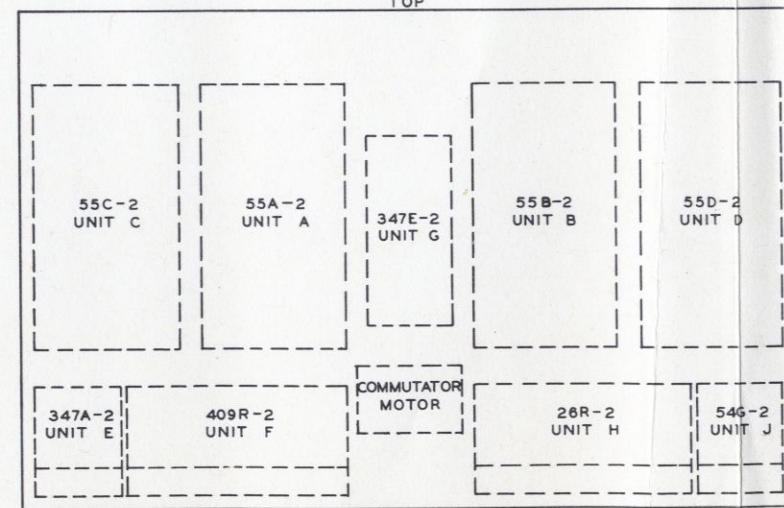
TOP VIEW



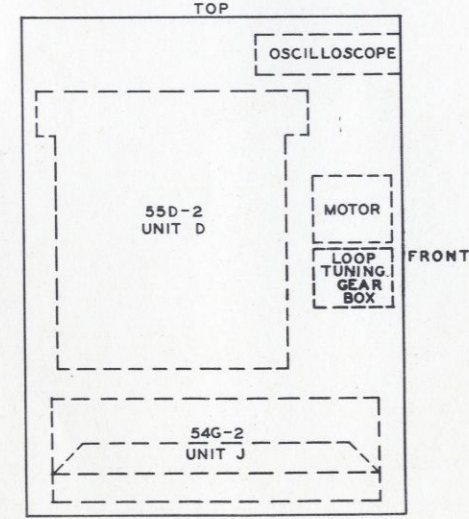
TOP VIEW - LOWER TIER



REAR VIEW



END VIEW

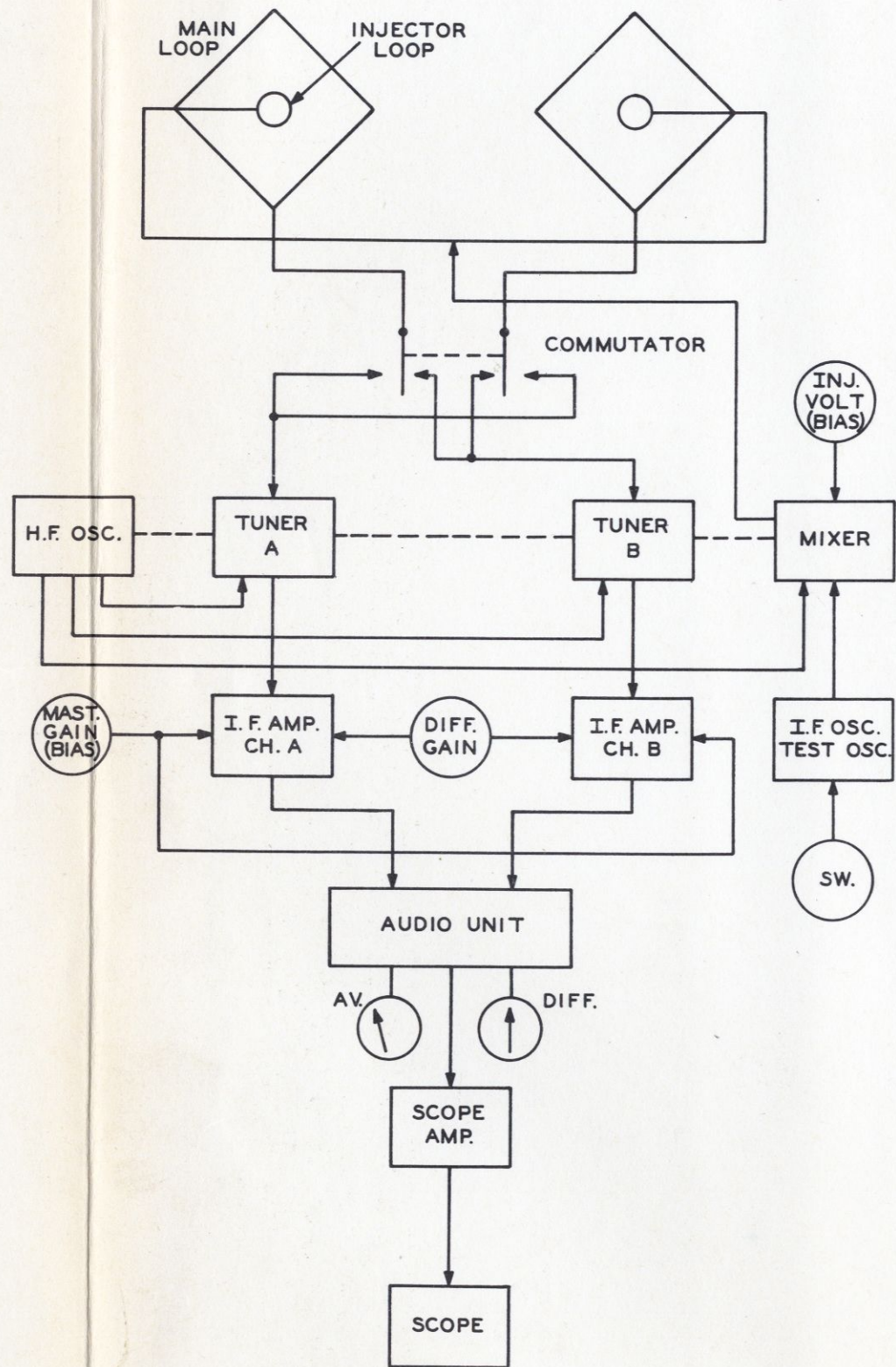


ALL FRACTIONAL DIMENSIONS  $\pm 1/64$   
ALL DECIMAL DIMENSIONS  $\pm .005$   
UNLESS OTHERWISE NOTED.



COLLINS RADIO COMPANY CEDAR RAPIDS, IOWA		UNIT: BLOCK DIAGRAM		SCALE	DWG. NO. K992A
DESIGN: <i>P.M.</i>	DETAIL: F.T.F. DATE: 4-30-42	DATE	DESCRIPTION	REVISOR	FIN.
LAYOUT: <i>CS</i>	CHECK: <i>CS</i> DATE: 9-7-42	IT.		PART NO.	MAT'L
DO NOT SCALE DWG.		G	F	E	D
		C	B	A	

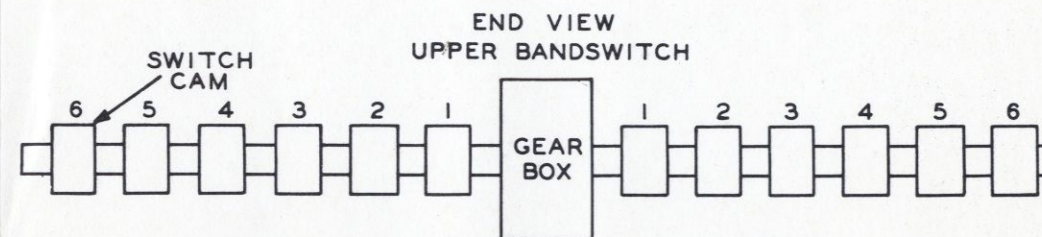
BLOCK DIAGRAM  
MODEL DAB RADIO DIRECTION FINDING EQUIPMENT



ALL FRACTIONAL DIMENSIONS  
ALL DECIMAL DIMENSIONS  
UNLESS OTHERWISE NOTED.

COLLINS RADIO COMPANY CEDAR RAPIDS, IOWA		UNIT: OPERATIONAL DIAGRAM		SCALE	DWG. NO. K991A
DESIGN: <i>P.M.</i>	DETAIL: F.T.F. DATE: 4-28-42	DATE	DESCRIPTION	REVISOR	FIN.
LAYOUT: <i>CS</i>	CHECK: <i>CS</i> DATE: 9-7-42	IT.		PART NO.	MAT'L
DO NOT SCALE DWG.		G	F	E	D
		C	B	A	

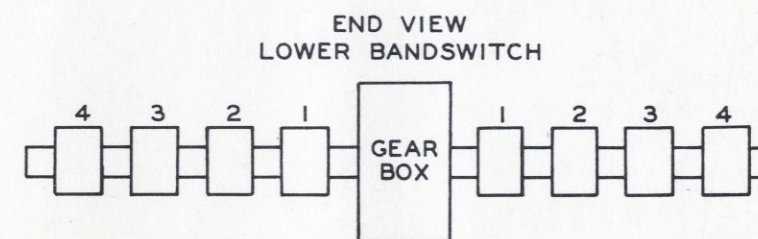
OPERATIONAL DIAGRAM  
UPPER AND LOWER LOOP BANDSWITCHES



POSITION OF SWITCH

SWITCH NO.	1	2	3	4	5	6
BAND 1	DOWN	C *	O **	C	C	O
BAND 2	UP	C	O	C	C	C
BAND 3	UP	O	C	C	C	C
BAND 4	UP	O	O	O	O	C

\* C - CLOSED \*\* O - OPEN

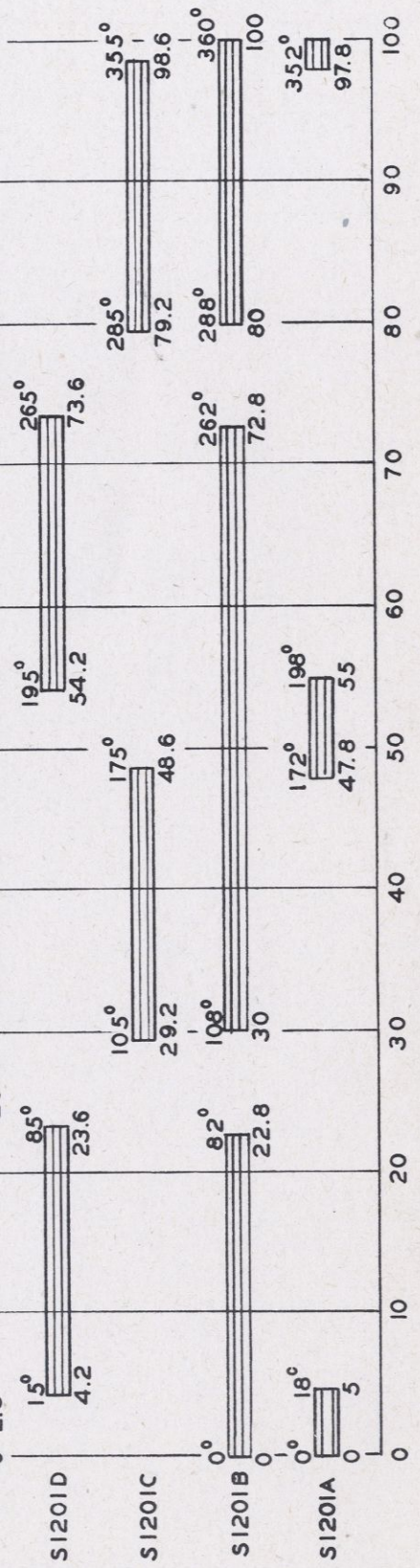


POSITION OF SWITCH

SWITCH NO.	1	2	3	4
BAND 1	O	O	O	C
BAND 2	O	O	C	O
BAND 3	O	C	O	O
BAND 4	C	O	O	O

ALL FRACTIONAL DIMENSIONS  
ALL DECIMAL DIMENSIONS  
UNLESS OTHERWISE NOTED.





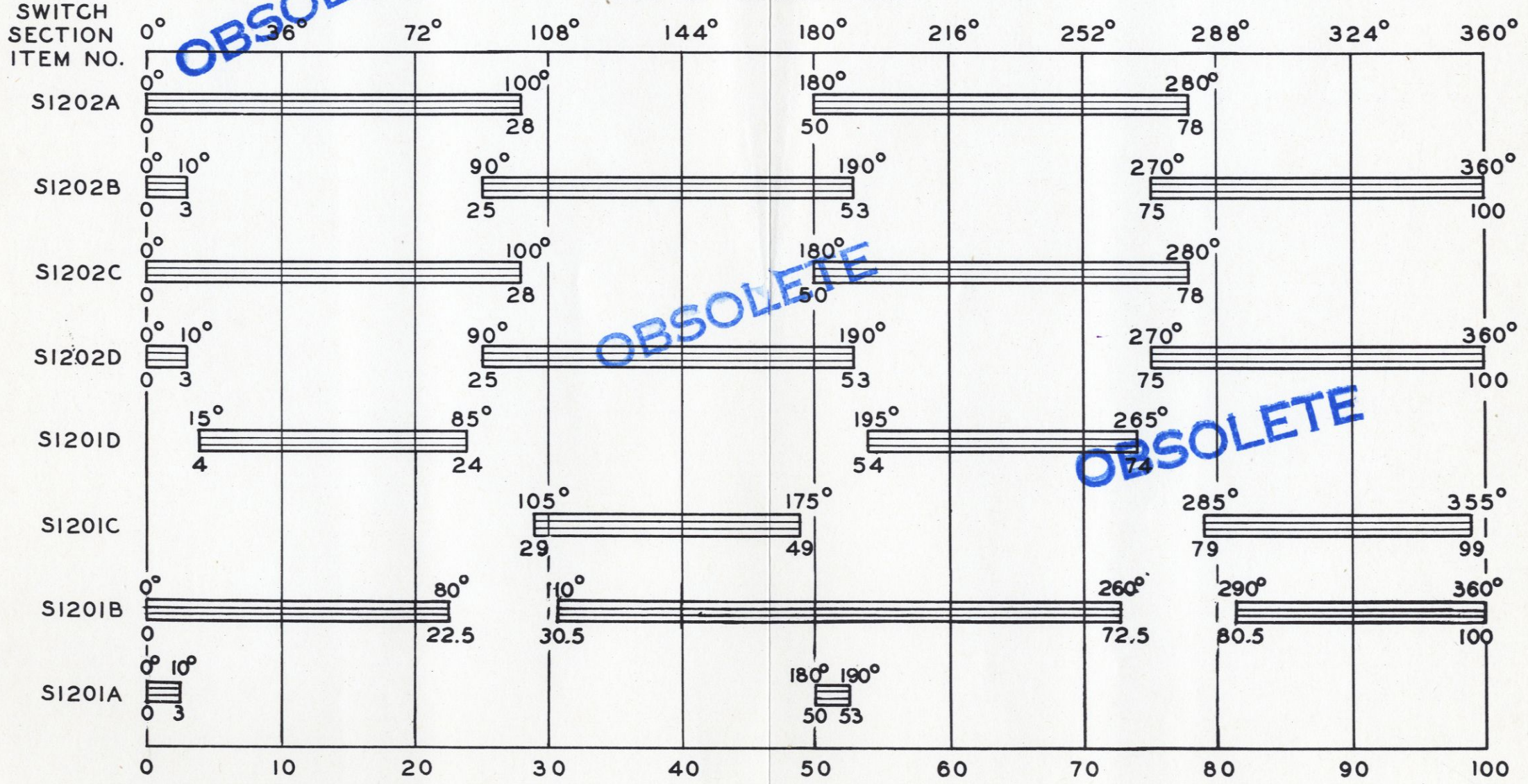
DIAL READING  
(100 DIAL DIVISIONS = 360°)

D564A  
ALL FRACTIONAL DIMENSIONS ± —  
ALL DECIMAL DIMENSIONS ± —  
UNLESS OTHERWISE NOTED.

COLLINS RADIO COMPANY		UNIT: OPERATIONAL DIAGRAM	
CEDAR RAPIDS, IOWA		REVISED: D.E.D. D-1791	DATE 8-31-42
DESIGN: P.M.W.	DETAIL: REG	DATE 5-7-42	SCALE
LAYOUT:	CHECK: P.S.	DATE 8-31-42	DWG. NO. K1008A-2
DO NOT SCALE DWG.		QUANTITY	DESCRIPTION
		IT.	PART NO.
			MAT'L
			FIN.

OPERATIONAL DIAGRAM  
TYPE 347E-2 COMMUTATOR UNIT

(SHADED AREAS INDICATE CLOSED CONTACTS)  
TOP OF COMMUTATOR



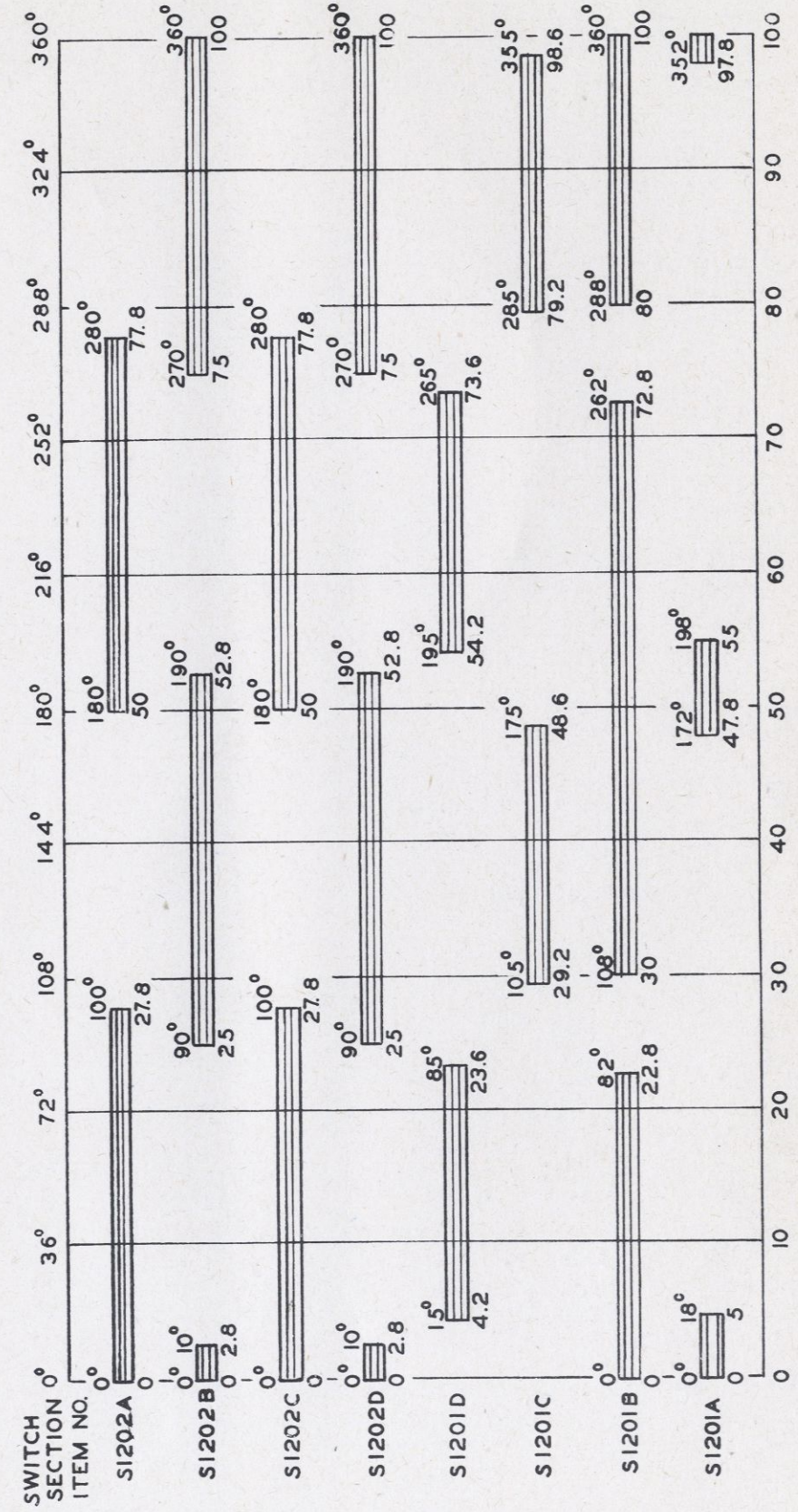
DIAL READING  
(100 DIAL DIVISIONS = 360°)

ALL FRACTIONAL DIMENSIONS ± —  
ALL DECIMAL DIMENSIONS ± —  
UNLESS OTHERWISE NOTED.



COLLINS COMPANY  
 UNITS: 347E-3 COMMUTATOR OPERATIONAL DIAGRAM 330A-2  
 DWG. NO. 500 2699 00A  
 SCALE  
 PART NO. MAT'L FIN.  
 DESCRIPTION  
 DATE  
 REVISED: DATE: 12-8-42  
 GLH : DATE: :  
 D: C  
 LAYOUT: C  
 DO NOT SCALE

OPERATIONAL DIAGRAM  
 TYPE 347E-3 COMMUTATOR UNIT  
 (SHADED AREAS INDICATE CLOSED CONTACTS  
 TOP OF COMMUTATOR)



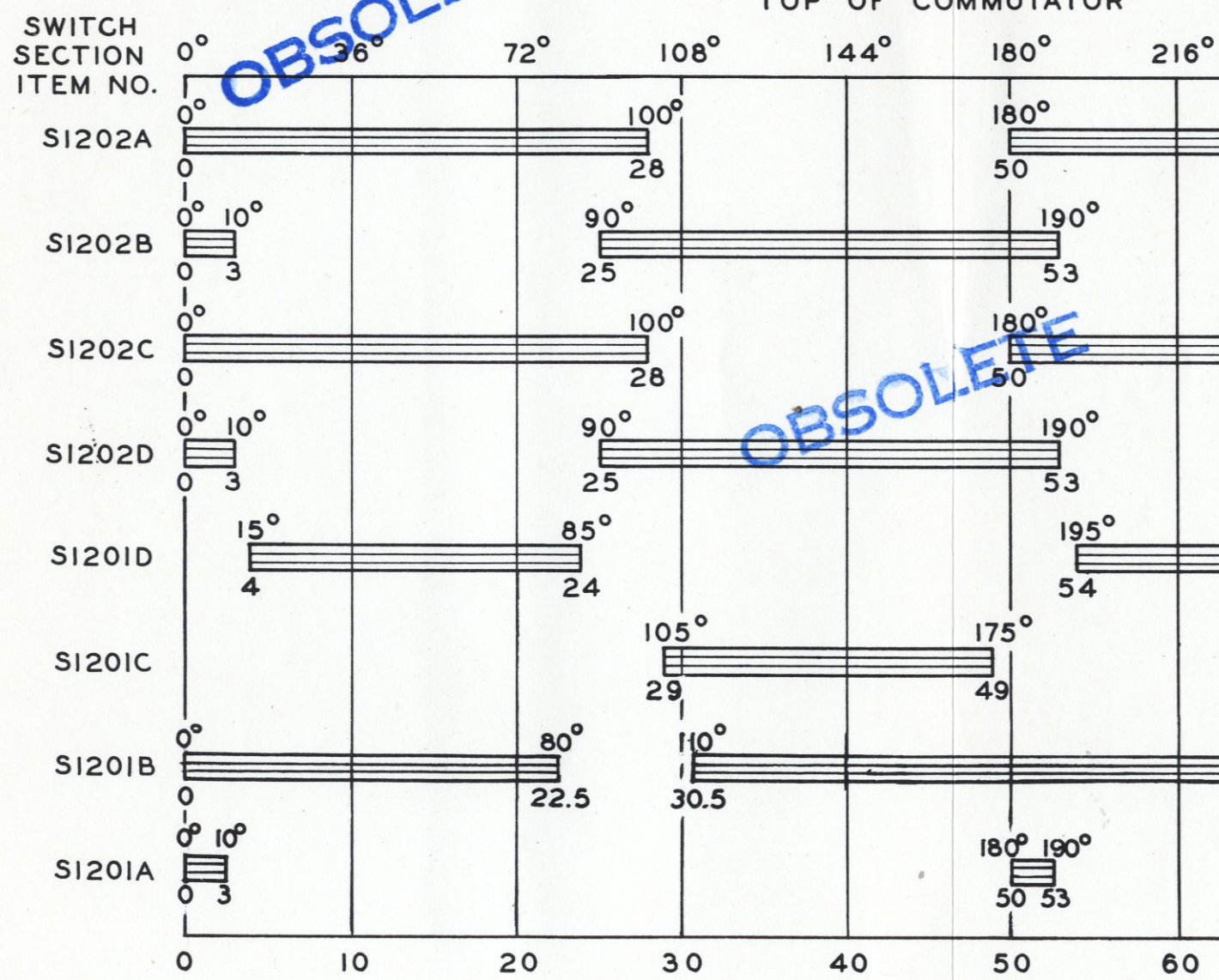
DIAL READING  
 (100 DIAL DIVISIONS = 360°)

D564A  
 ALL FRACTIONAL DIMENSIONS ± —  
 ALL DECIMAL DIMENSIONS ± —  
 UNLESS OTHERWISE NOTED.

COLLINS RADIO COMPANY  
 CEDAR RAPIDS, IOWA  
 UNIT: OPERATIONAL DIAGRAM  
 REVISED: D.E.D. D-1791 DATE 8-31-42  
 DESIGN: P.M.W. DETAIL: REG. DATE 5-7-42  
 LAYOUT: CHECK: P.S. DATE 8-31-42  
 QUANTITY  
 IT. DESCRIPTION

DO NOT SCALE DWG.

OPERATIONAL DIAGRAM  
 TYPE 347E-2 COMMUTATOR UNIT  
 (SHADED AREAS INDICATE CLOSED CONTACTS  
 TOP OF COMMUTATOR)



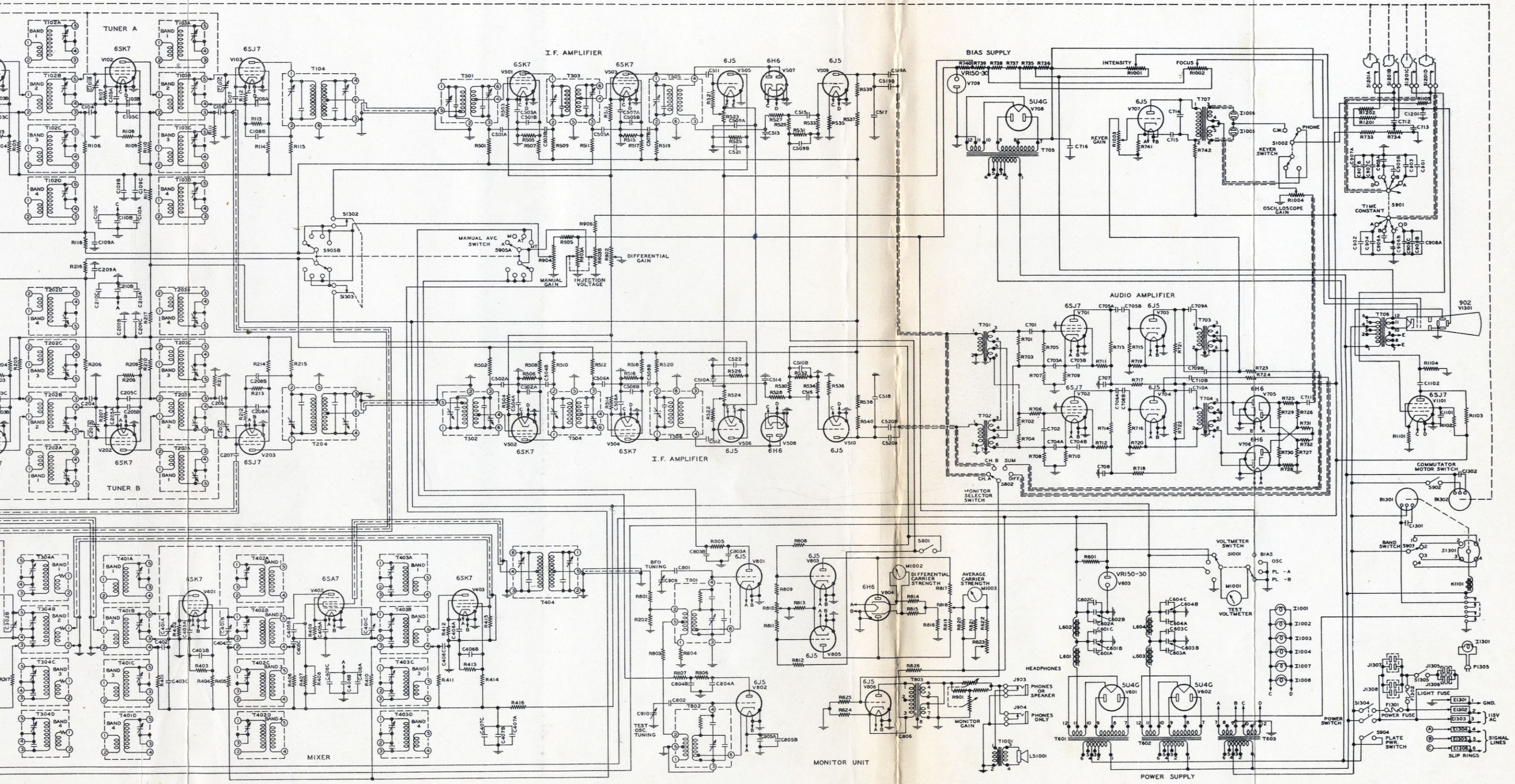
DIAL READING  
 (100 DIAL DIVISIONS = 360°)

ALL FRACTIONAL DIMENSIONS ± —  
 ALL DECIMAL DIMENSIONS ± —  
 UNLESS OTHERWISE NOTED.

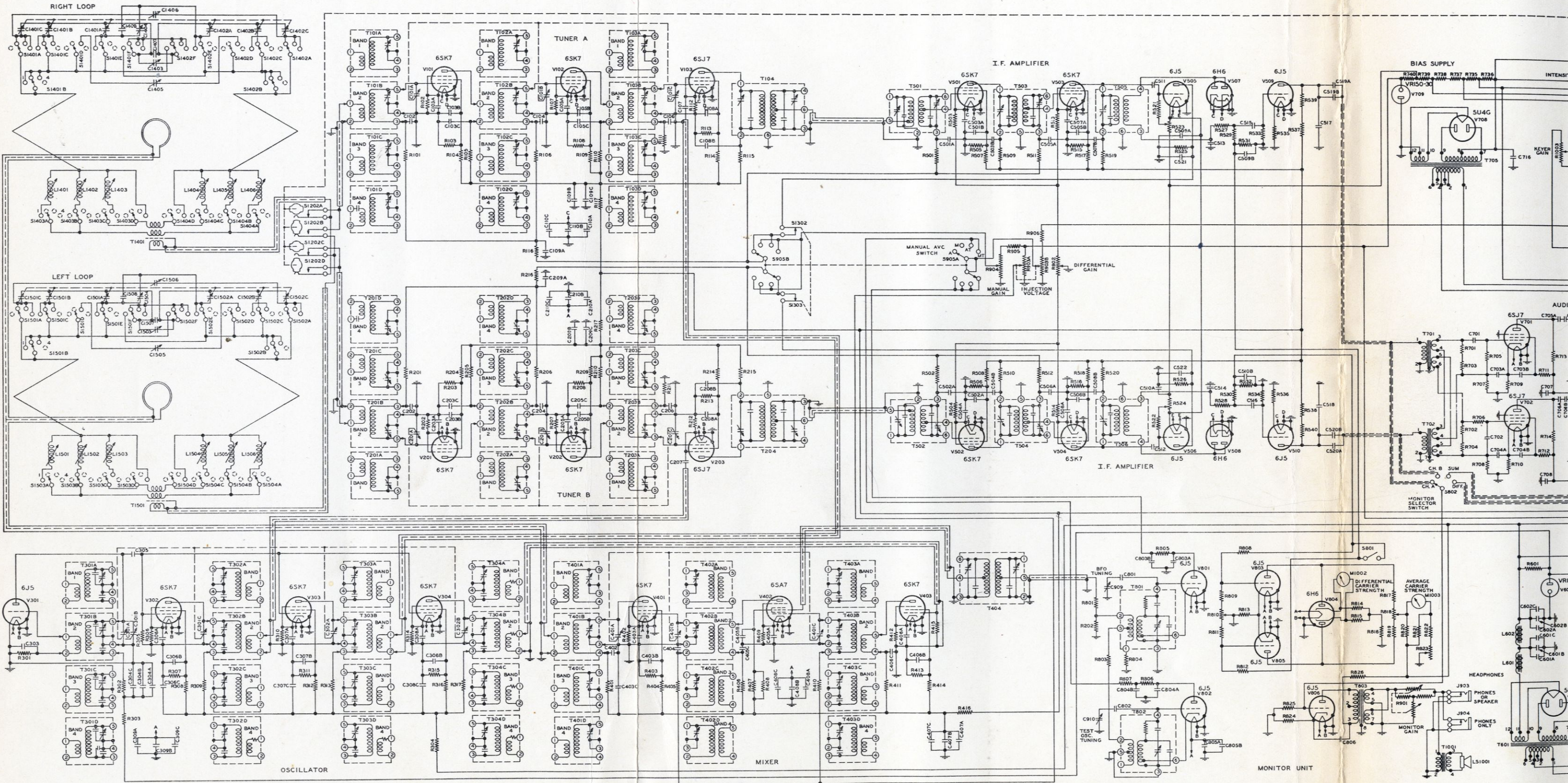


MODEL DAB RADIO DIRECTION FINDING EQUIPMENT  
COMPLETE SCHEMATIC

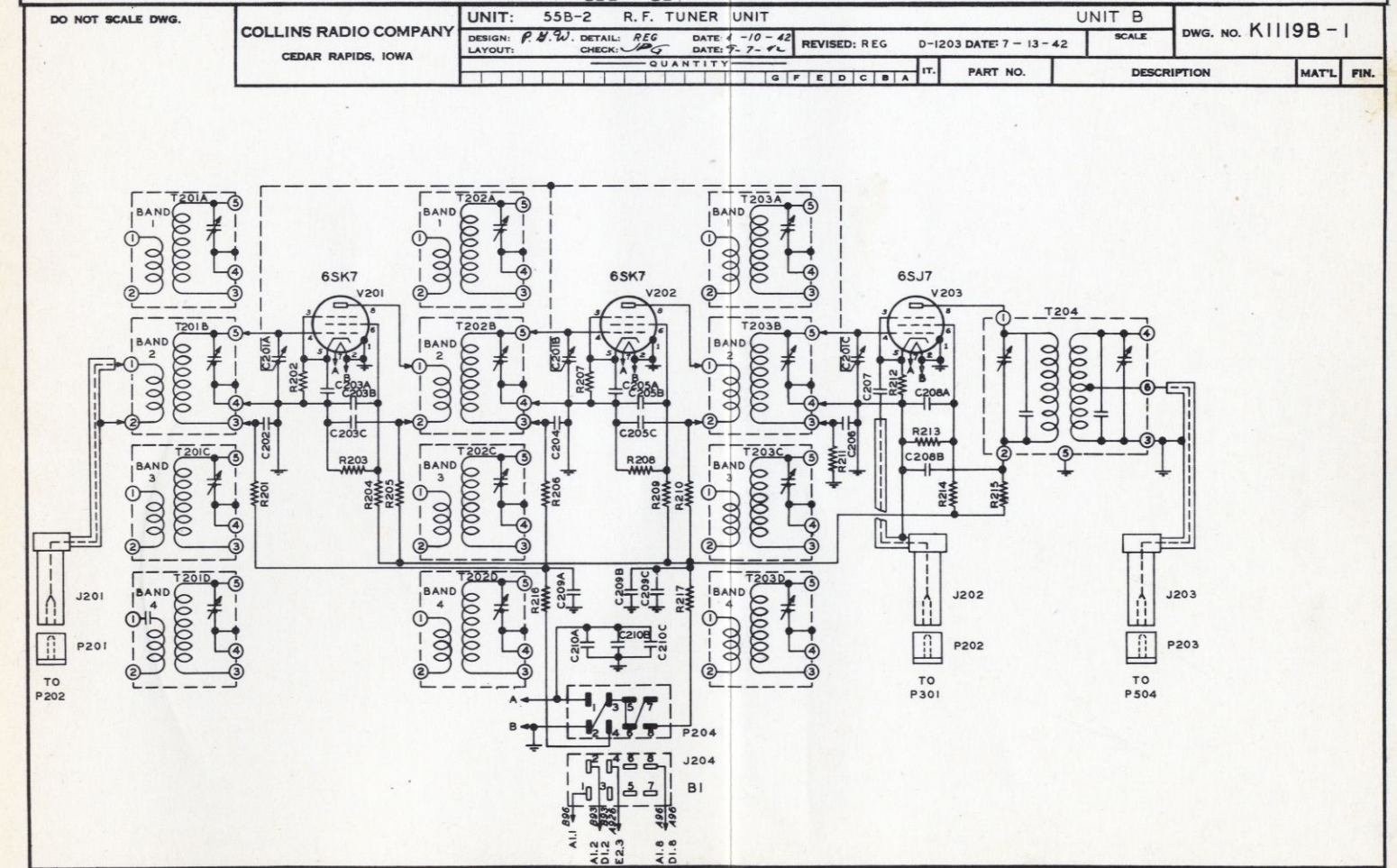
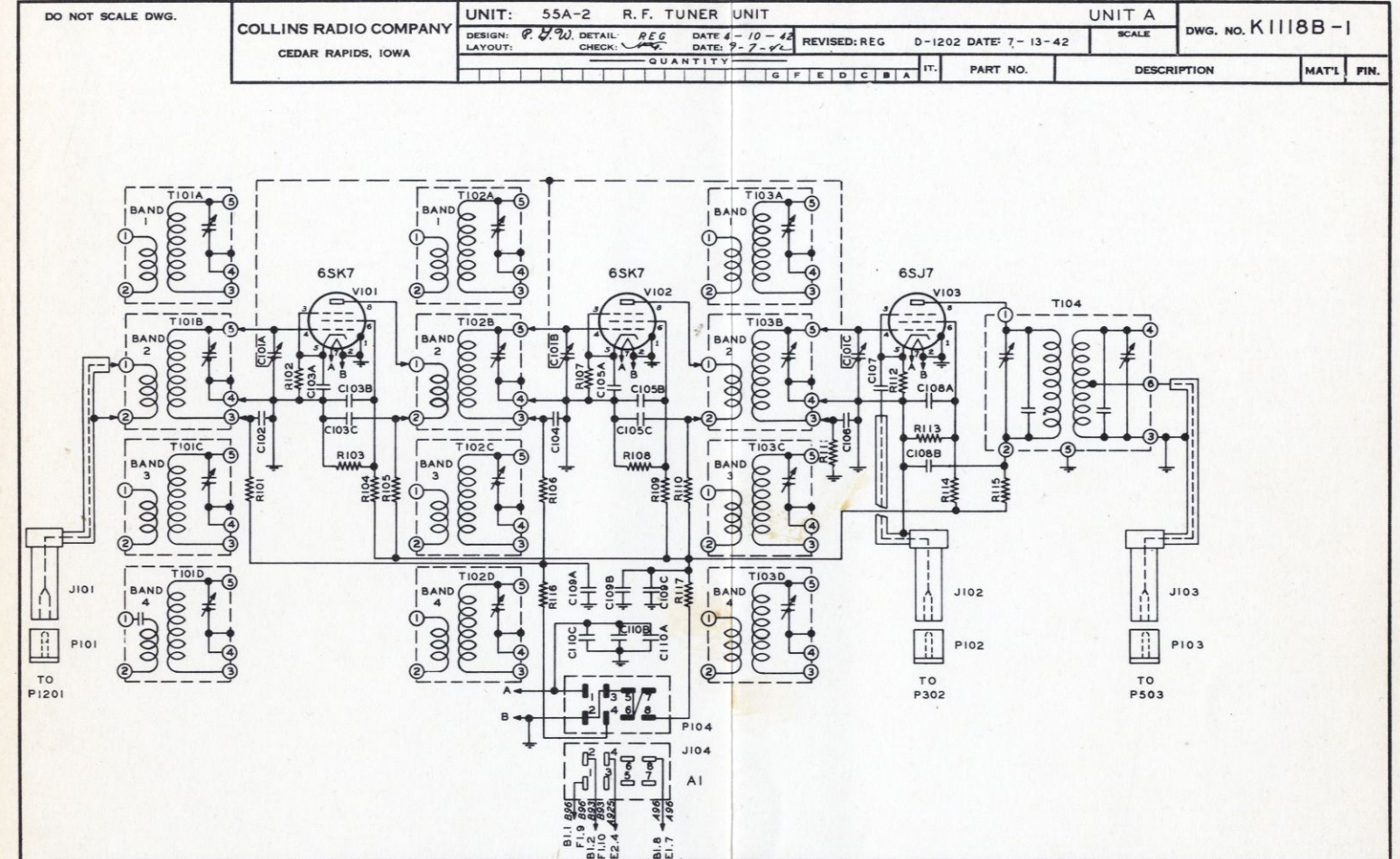
DRAWN BY: P.B.W. DATE: 4-6-42  
TRACED BY: F.T.E. DATE: 4-14-42  
CHECKED BY: M.S. DATE: 9-7-42  
COLLINS RADIO COMPANY  
CEDAR RAPIDS, IOWA  
DRAWING NO. K102F-1  
REVISED: REG. D-1291 DATE: 7-13-42  
PRINT NO.



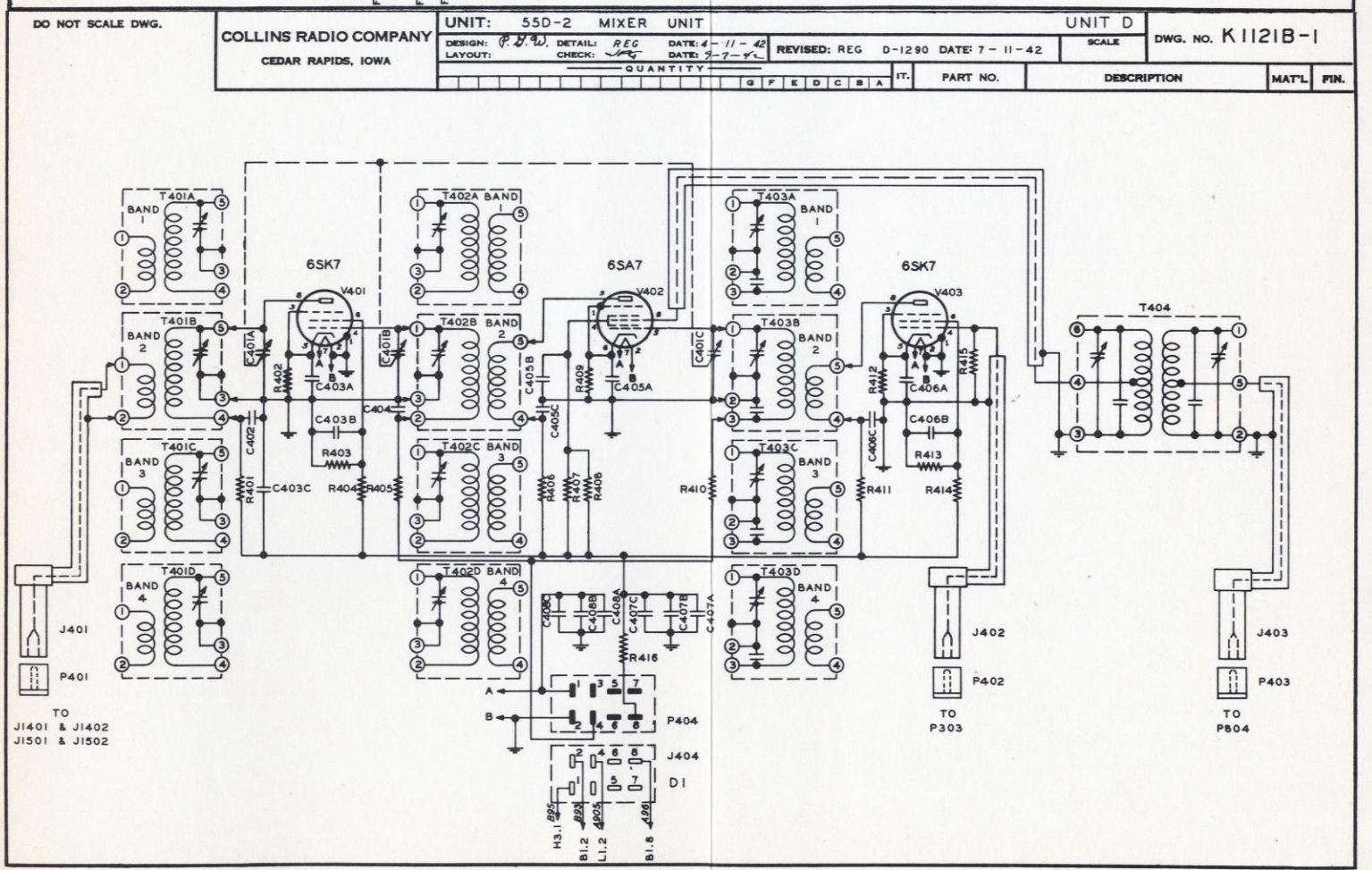
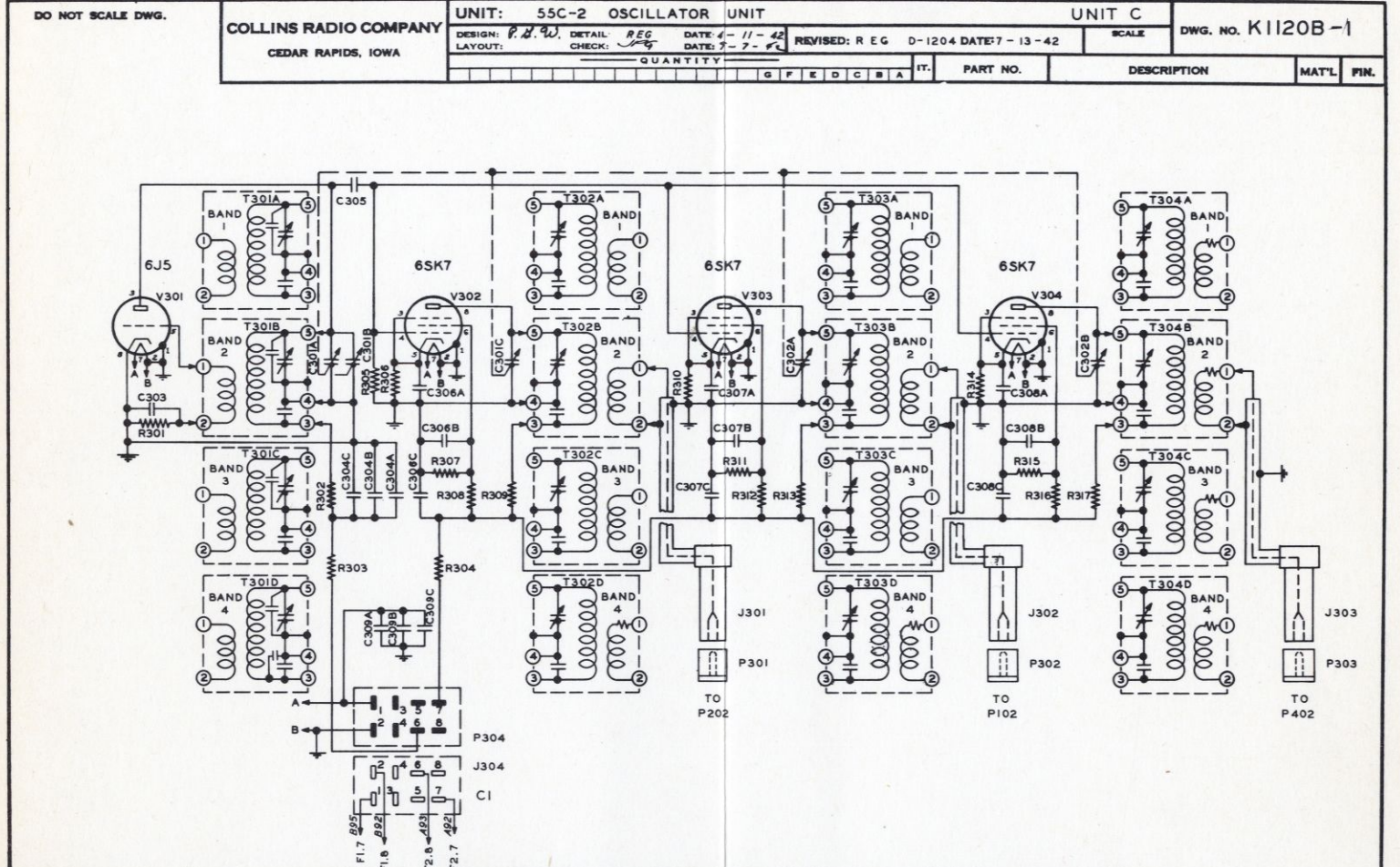








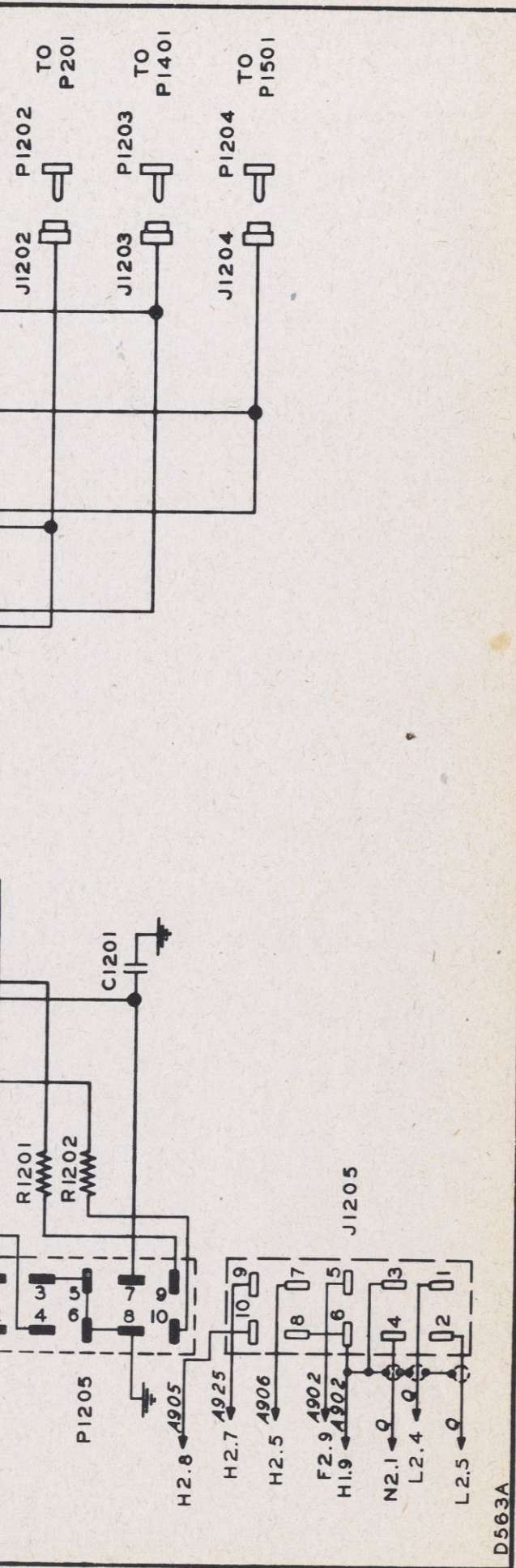












**COLLINS RADIO COMPANY**  
CEDAR RAPIDS, IOWA

**UNIT: 347E-2 COMMUTATOR UNIT**

**UNIT G**

REVISED: G. J. W. D-2071 DATE 9-22-42

SCALE

DWG. NO. K980A-2

DESIGN: *G.J.W.* DETAIL: *REG* DATE: *4-20-42*

QUANTITY

LAYOUT: CHECK: *JPG* DATE: *7-8-42*

G F E D C B A

IT.

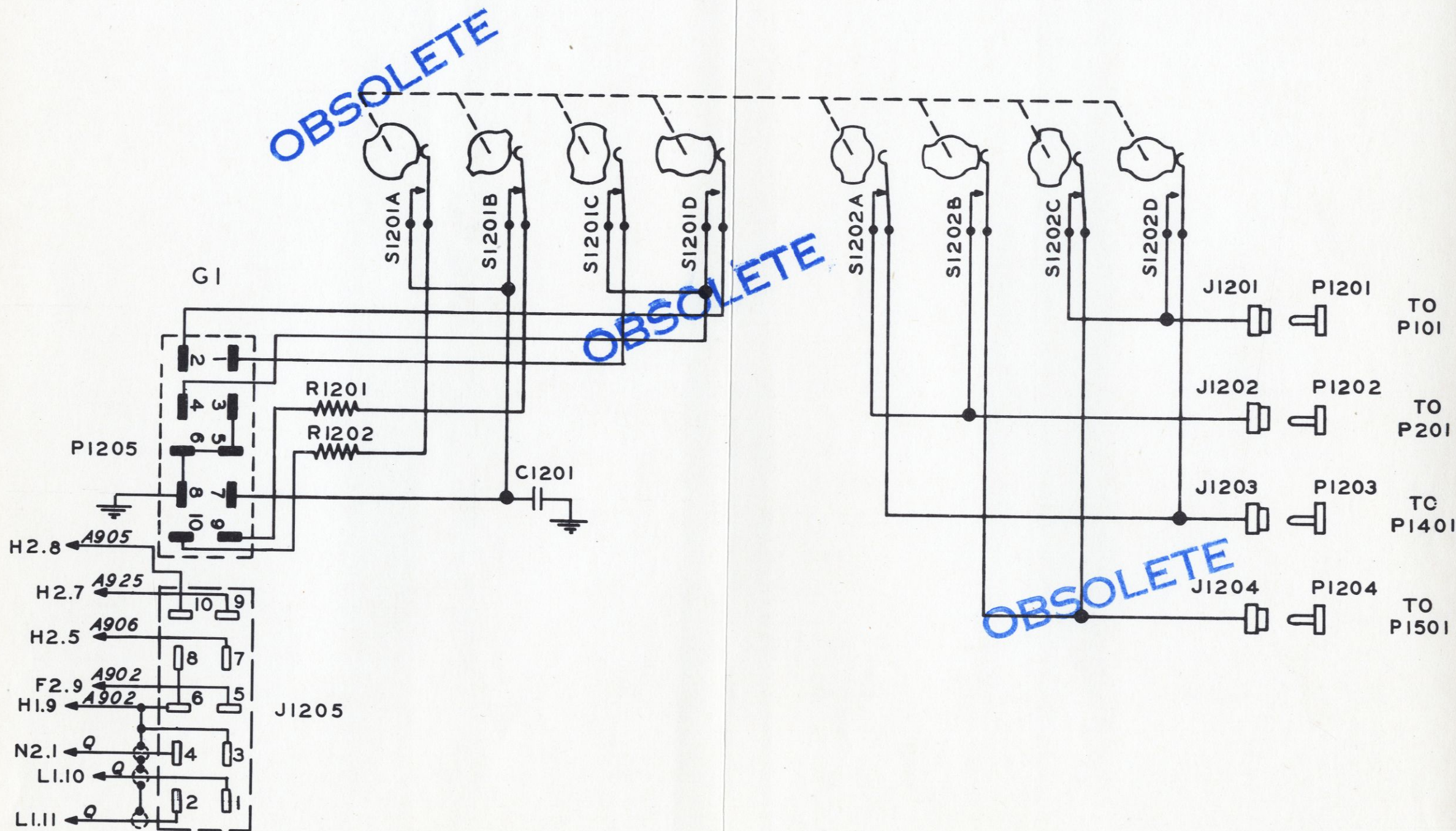
PART NO.

DESCRIPTION

MAT'L

FIN.

DO NOT SCALE DWG.



D563A

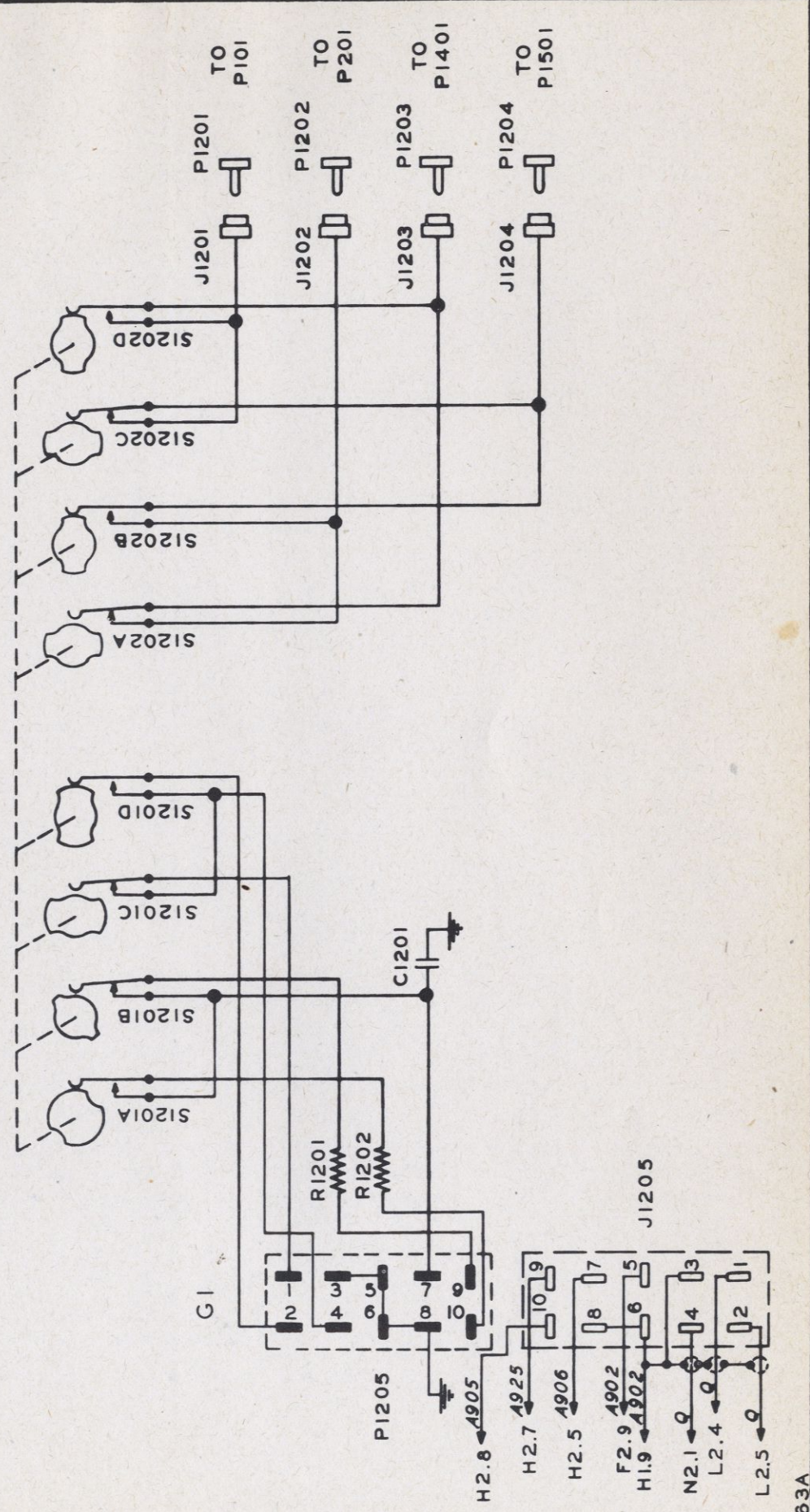


COLLINS RADIO COMPANY  
 CEDAR RAPIDS, IOWA  
 UNIT: 347E-3 COMMUTATOR UNIT (330A-2)  
 DWG. NO. 500 0208 00A  
 UNIT G

DESIGN: <i>REG</i>	DATE: 8-25-43	QUANTITY	IT.	DATE	PART NO.	DESCRIPTION	MAT'L	FIN.
CHECK: <i>FG</i>	DATE: 8-26-43	G	F	E	D	C	B	A
LAYOUT:								

DO NOT SCALE DWG.

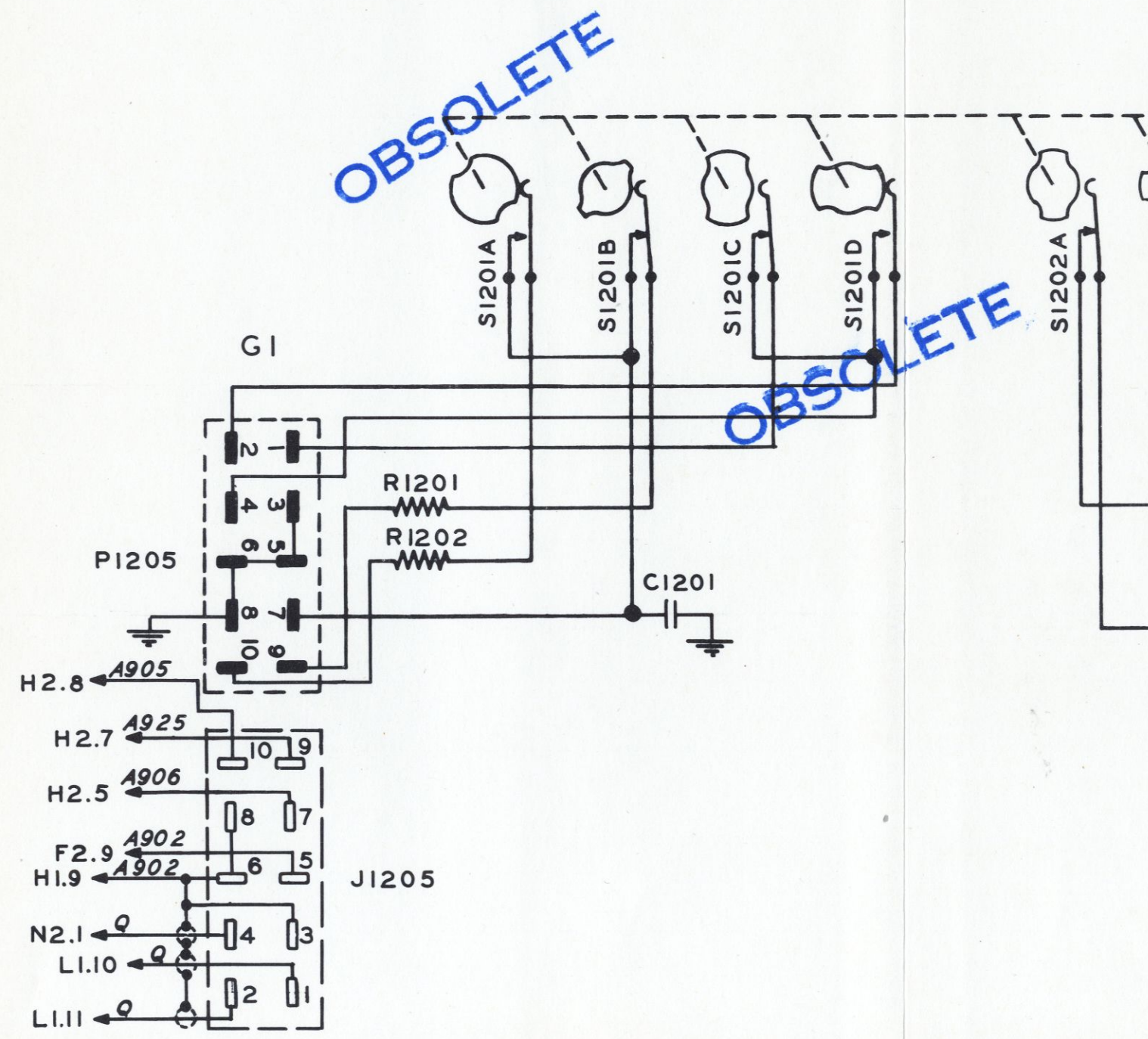
**CONFIDENTIAL**



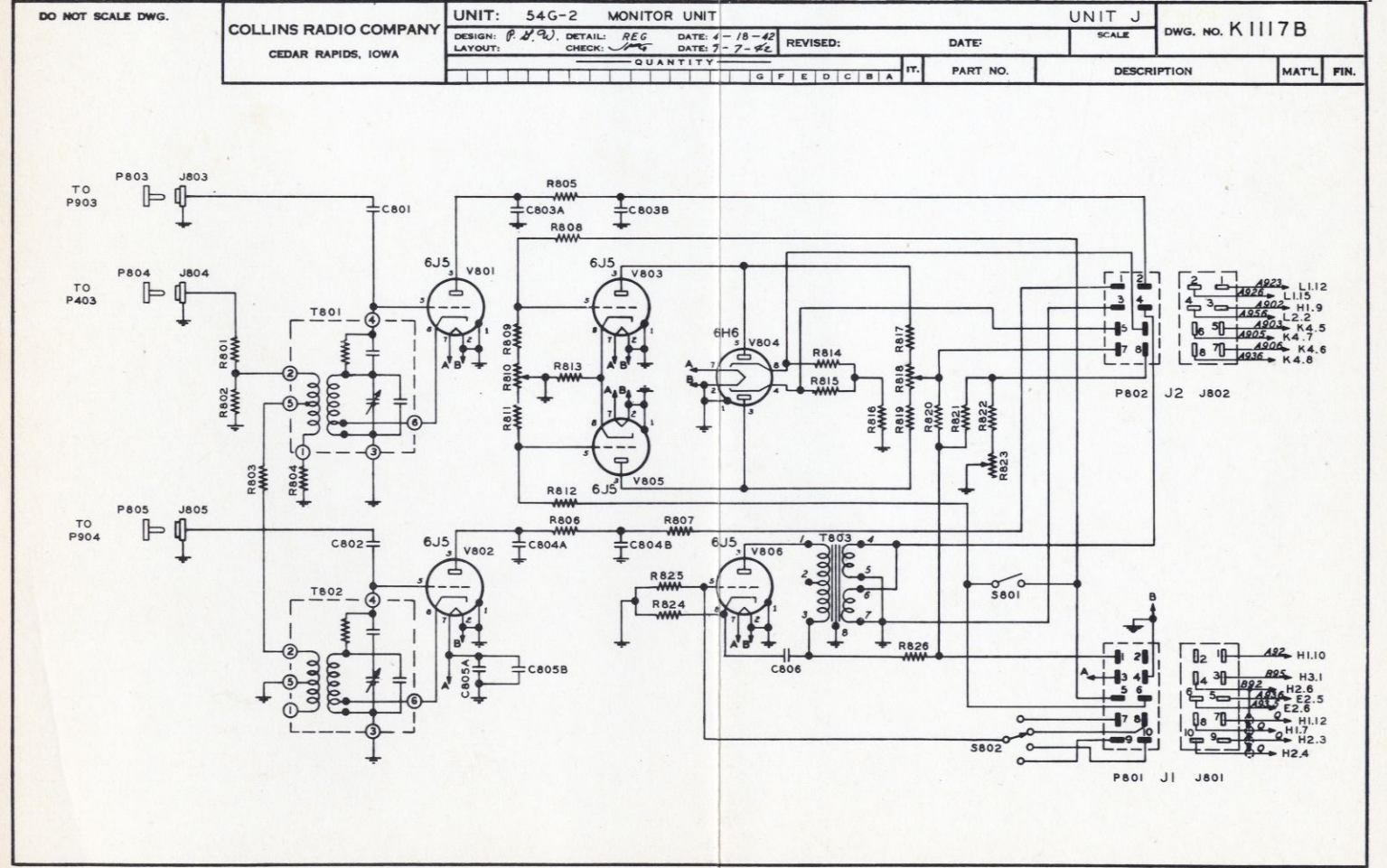
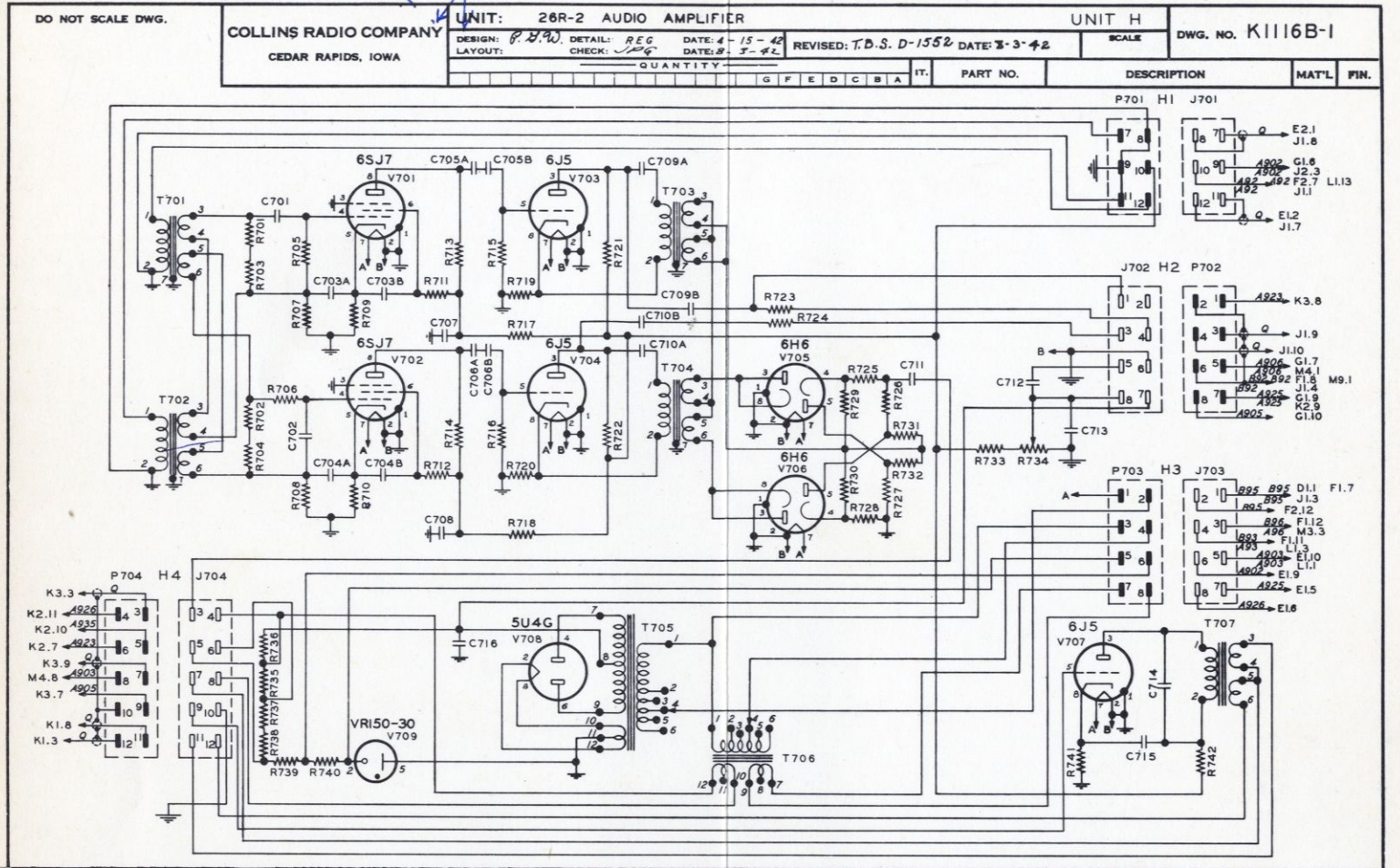
D563A

COLLINS RADIO COMPANY CEDAR RAPIDS, IOWA			UNIT: 347E-2 COMMUTATOR UNIT							
DESIGN: <i>REG</i>			DATE: 4-20-42			REVISD: G. J. W. D-2071 DATE 9-22-42				
LAYOUT:			CHECK: <i>REG</i>			DATE: 7-3-42				
			QUANTITY			PART NO.				
			G	F	E	D	C	B	A	IT.

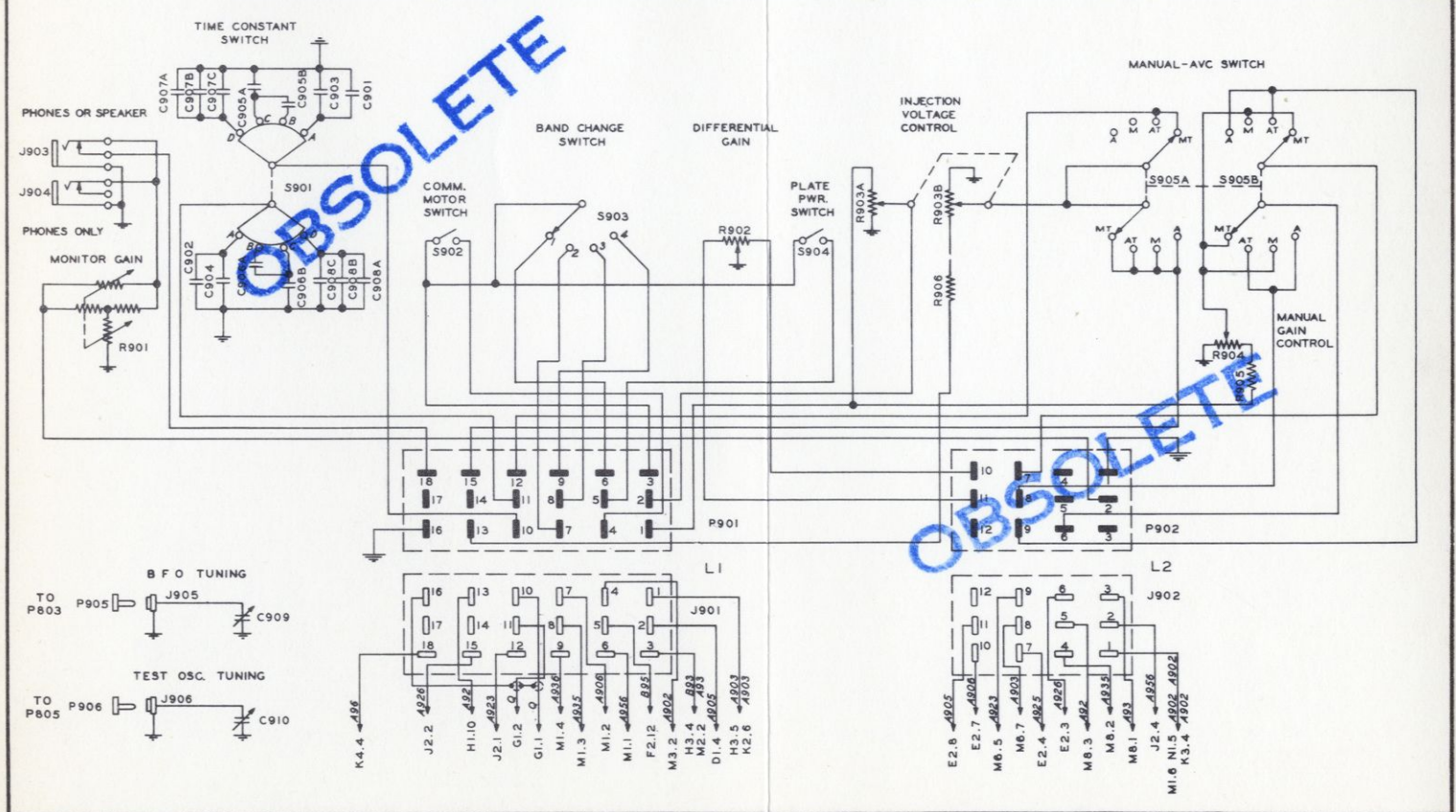
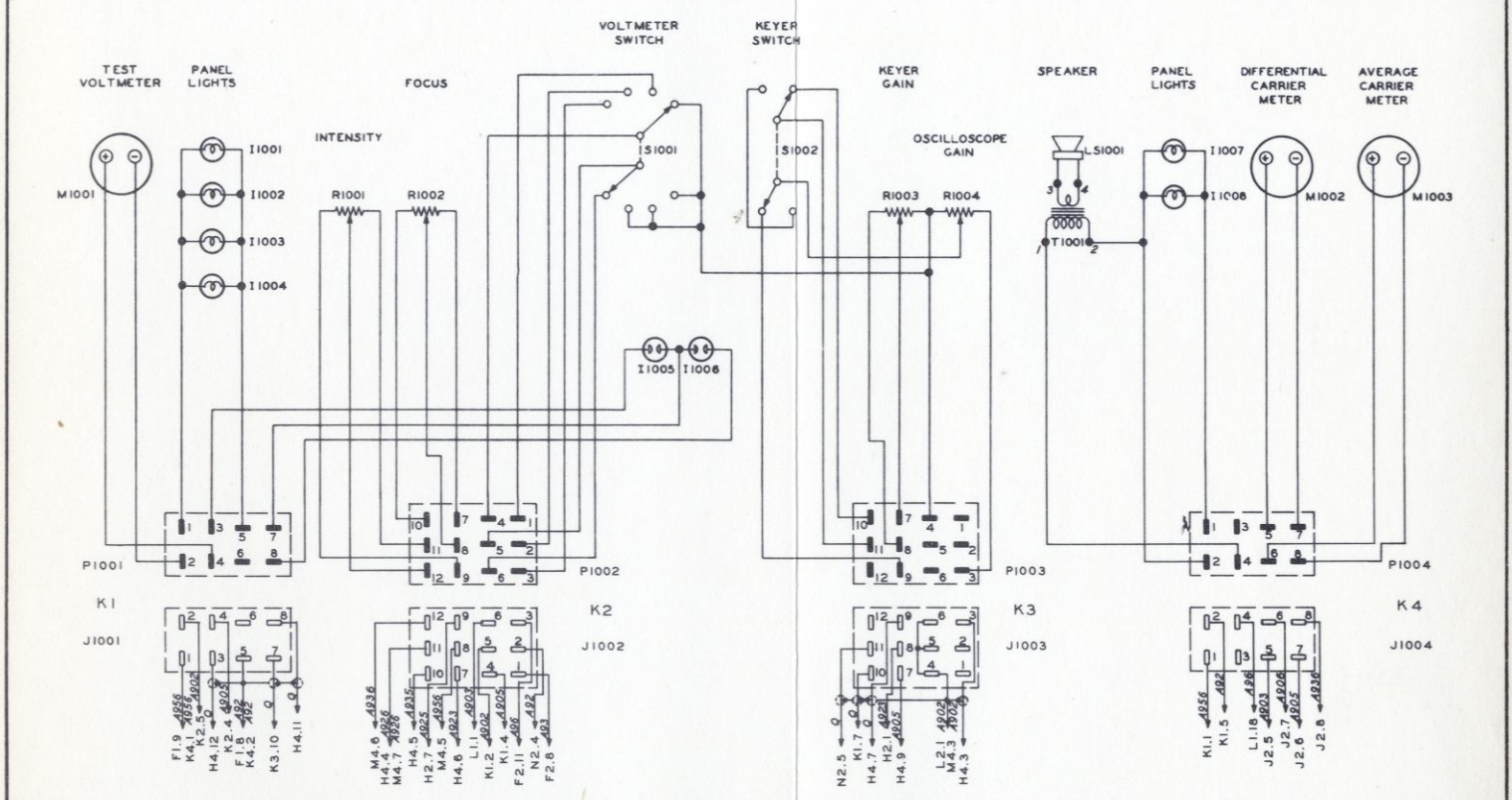
DO NOT SCALE DWG.













DO NOT SCALE DWG.

USED ON  
330A-2

**COLLINS RADIO COMPANY**  
CEDAR RAPIDS, IOWA

UNIT: 101T-3 CONTROL PANEL

DESIGN: *JRS*  
LAYOUT:

DETAIL: *REG*  
CHECK: *JRS*

DATE: 8-25-43  
DATE: 8-26-43

REVISED:

DATE:

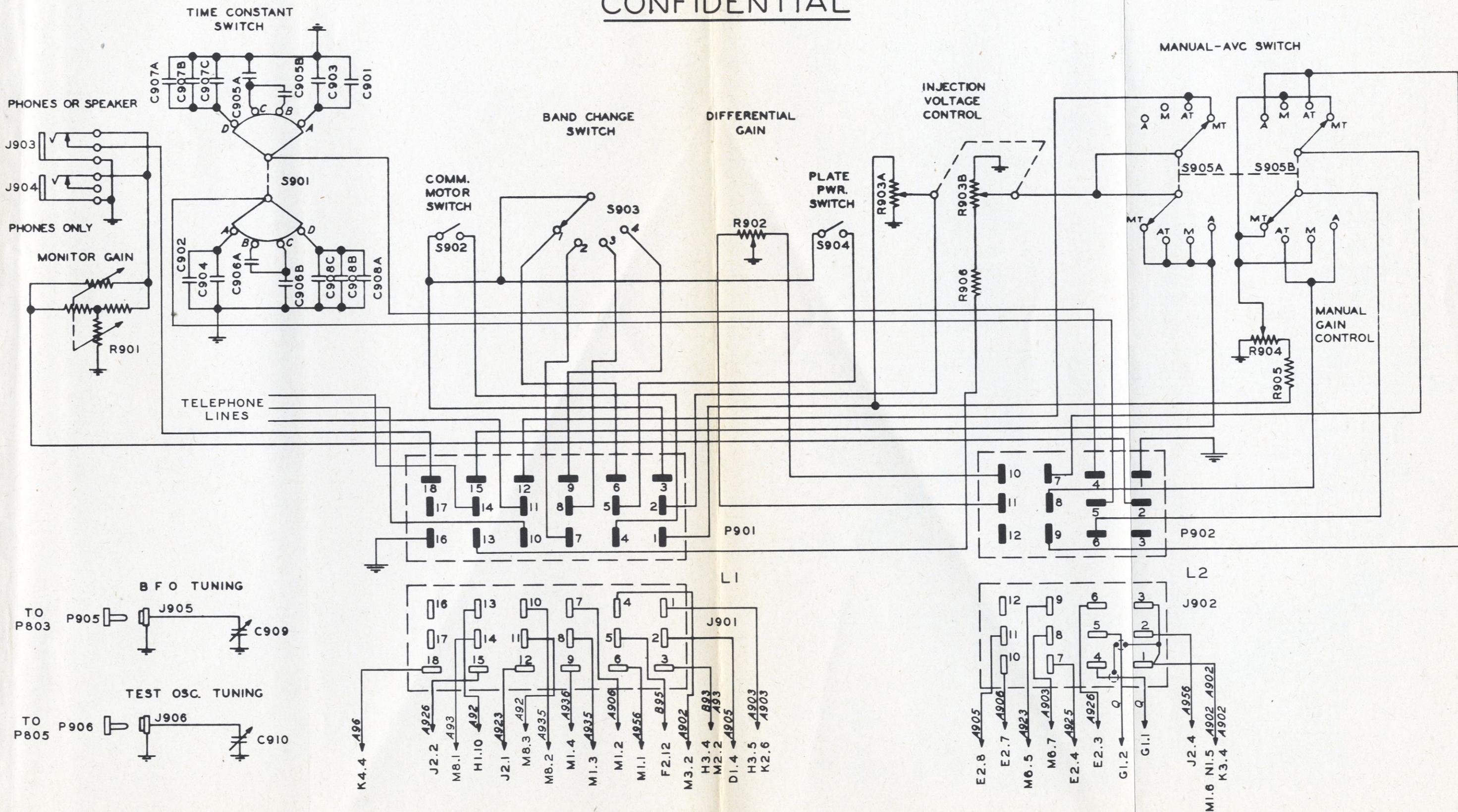
UNIT L

SCALE

DWG. NO. 500 0210 00B

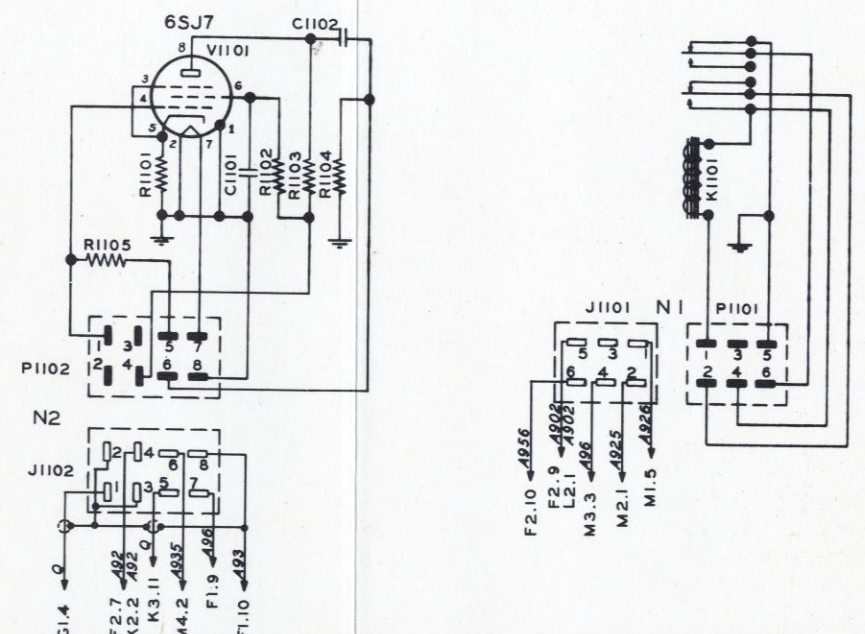
QUANTITY										IT.	PART NO.	DESCRIPTION	MAT'L	FIN.
G	F	E	D	C	B	A								

**CONFIDENTIAL**

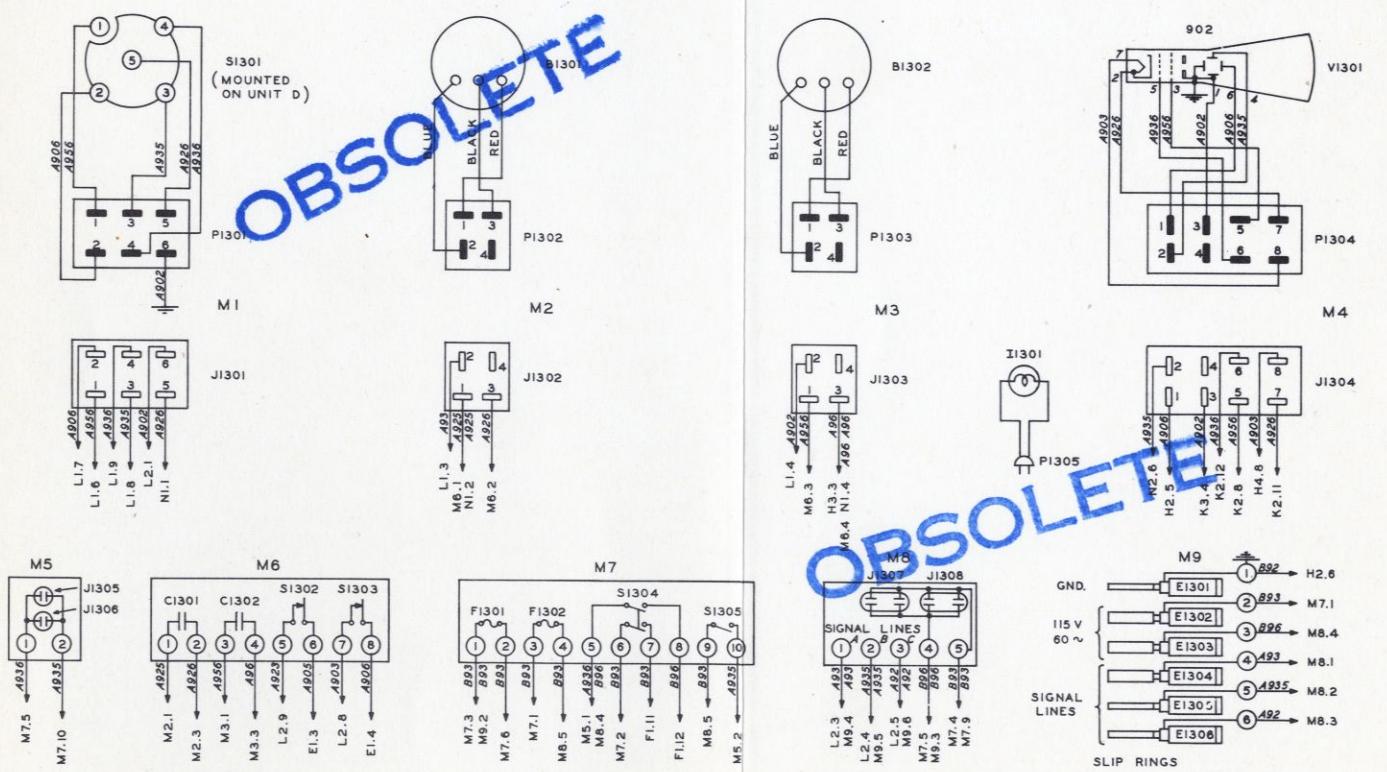




COLLINS RADIO COMPANY CEDAR RAPIDS, IOWA		UNIT: 347B-2	OSCILLOSCOPE AMPLIFIER		UNIT N
DESIGN: P.D.W. DETAIL: R.E.G. DATE: 4-20-42		REVISED: T.B.S. D-1551	DATE: 8-3-42	SCALE	DWG. NO. K979A-2
LAYOUT: CHECK: R.C. DATE: 7-3-42	QUANTITY		PART NO.		DESCRIPTION
DO NOT SCALE DWG.				MAT'L	FIN.



COLLINS RADIO COMPANY CEDAR RAPIDS, IOWA		UNIT: MISCELLANEOUS ITEMS (330A-2)	UNIT M	DWG. NO. K1130B
DESIGN: P.D.W. DETAIL: R.E.G. DATE: 4-9-42		REVISED:	DATE:	SCALE
LAYOUT: CHECK: R.C. DATE: 7-7-42	QUANTITY		PART NO.	
DO NOT SCALE DWG.				MAT'L





DO NOT SCALE DWG.

USED ON  
330A-2

**COLLINS RADIO COMPANY**  
CEDAR RAPIDS, IOWA

UNIT: MISCELLANEOUS ITEMS

DESIGN: *JPG* DETAIL: REG DATE: 8-25-43  
LAYOUT: CHECK: *JPG* DATE: 8-26-43

REVISED:

DATE:

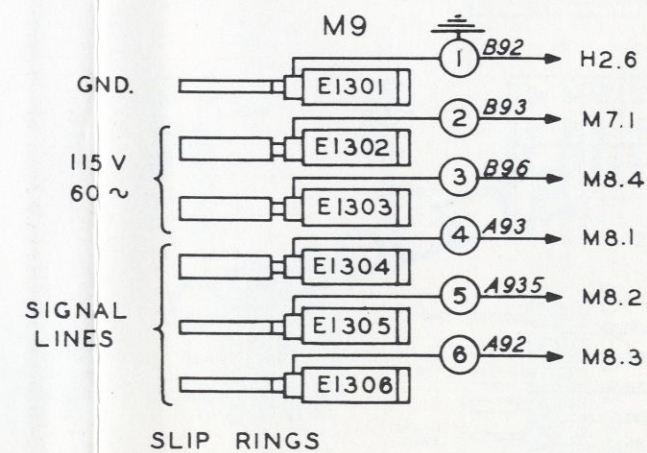
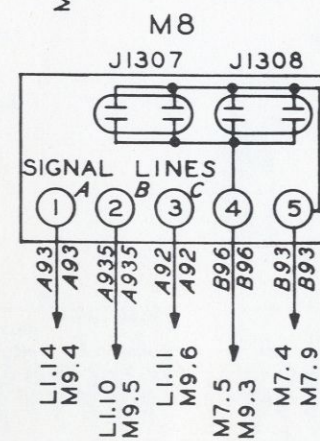
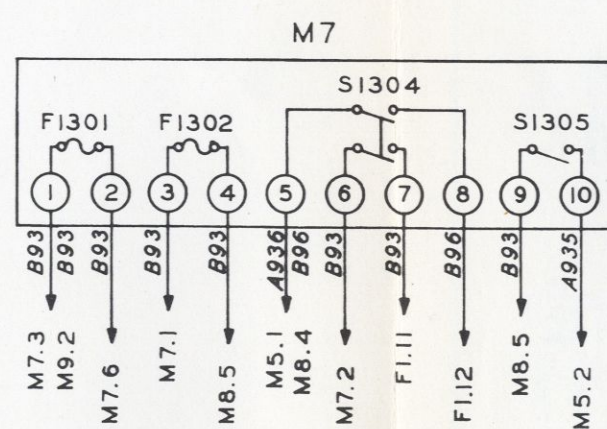
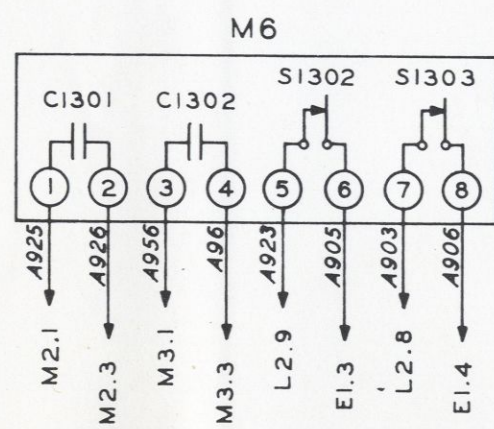
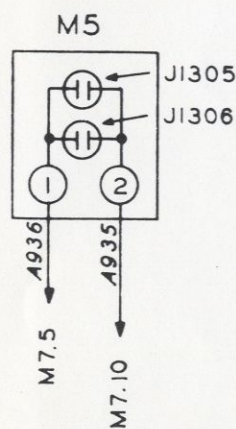
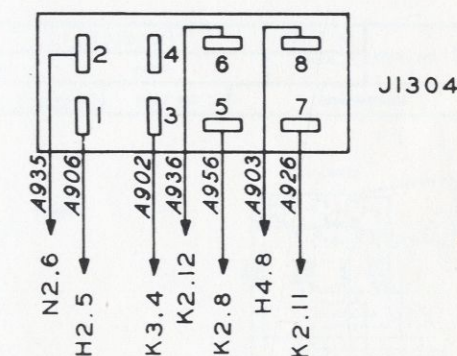
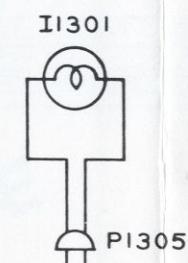
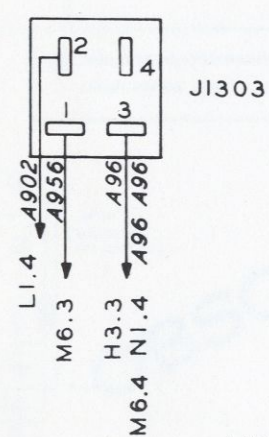
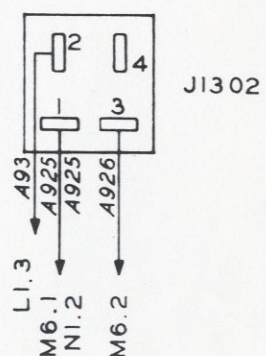
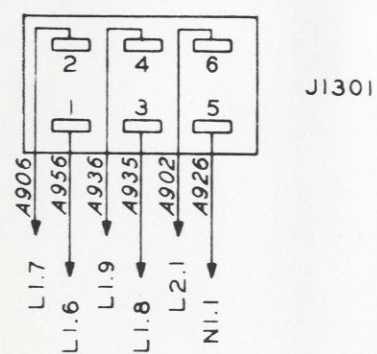
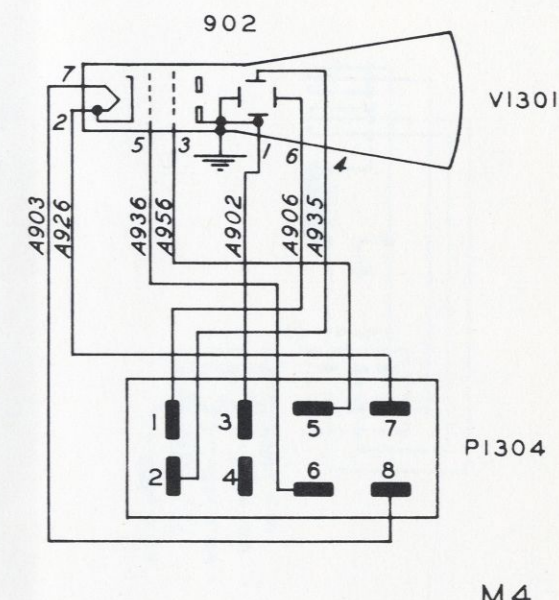
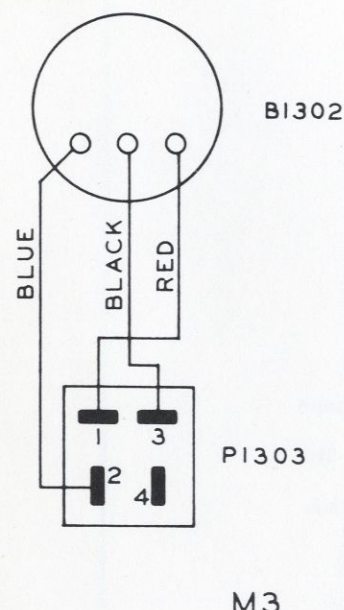
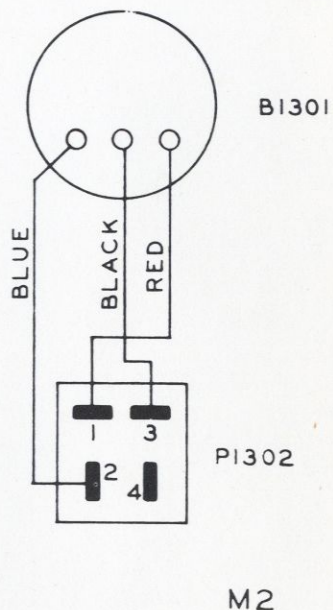
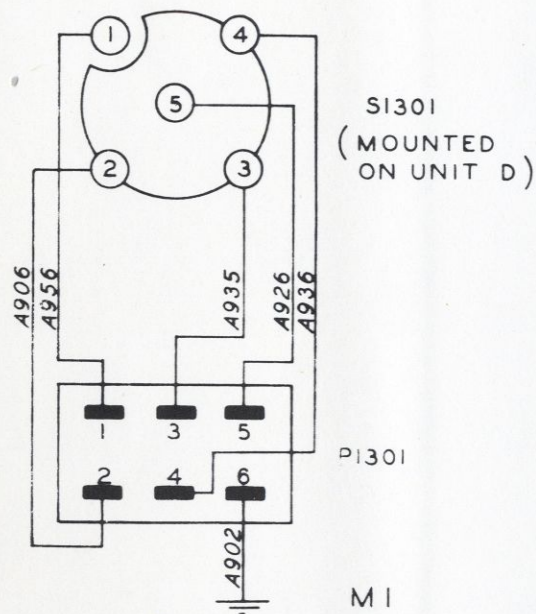
UNIT M

SCALE

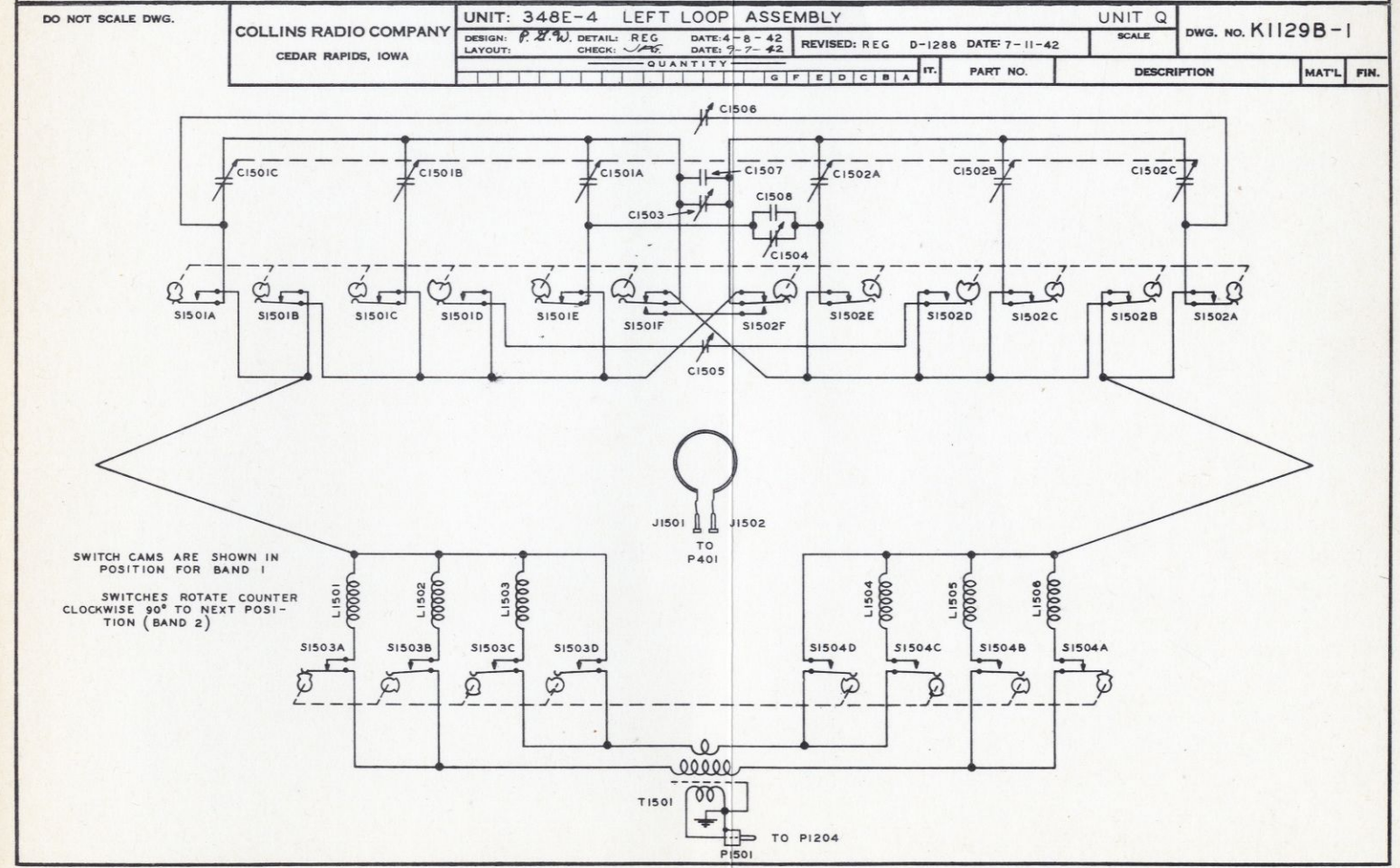
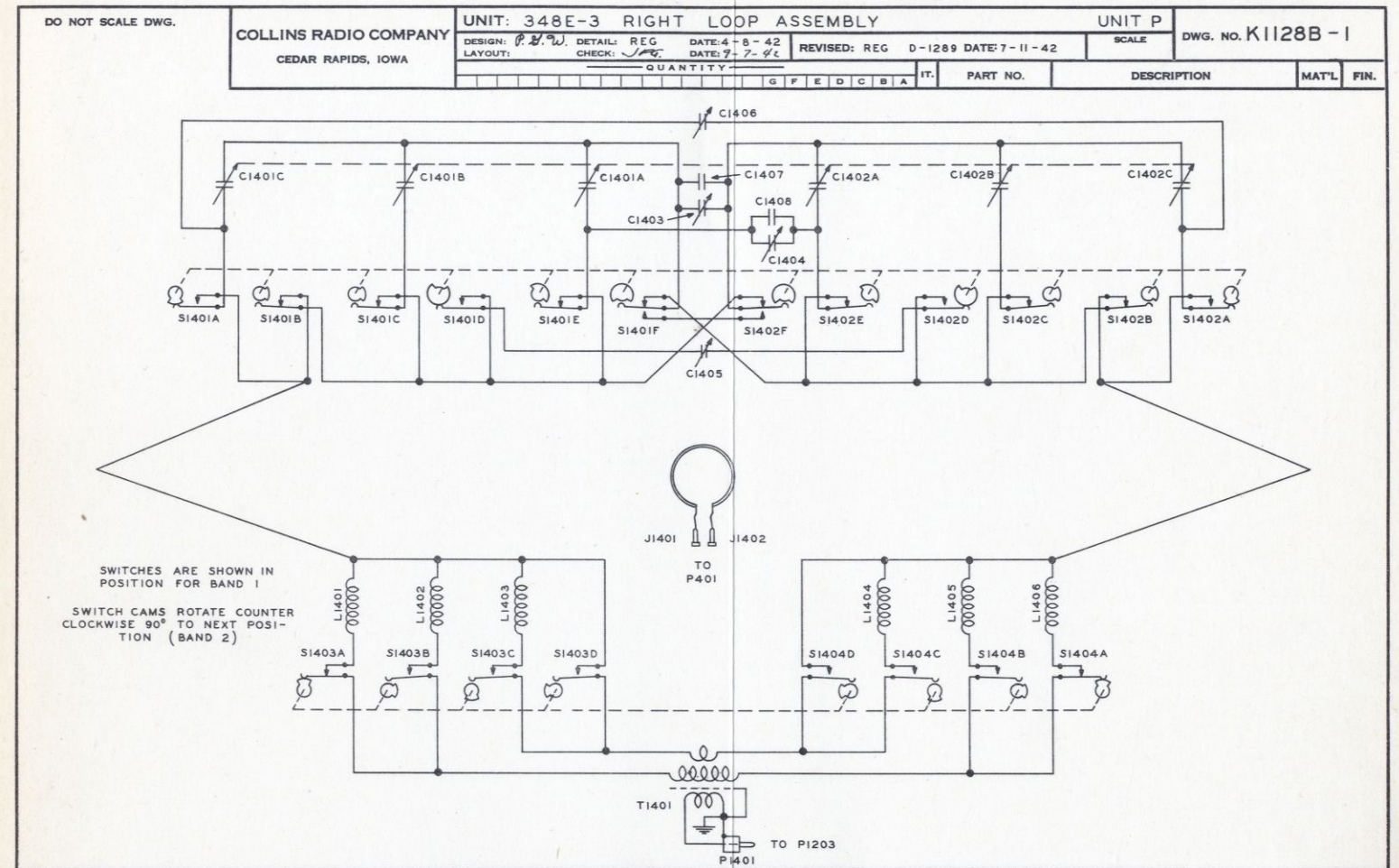
DWG. NO. 500 0209 00B

QUANTITY										IT.	PART NO.	DESCRIPTION	MAT'L	FIN.

**CONFIDENTIAL**









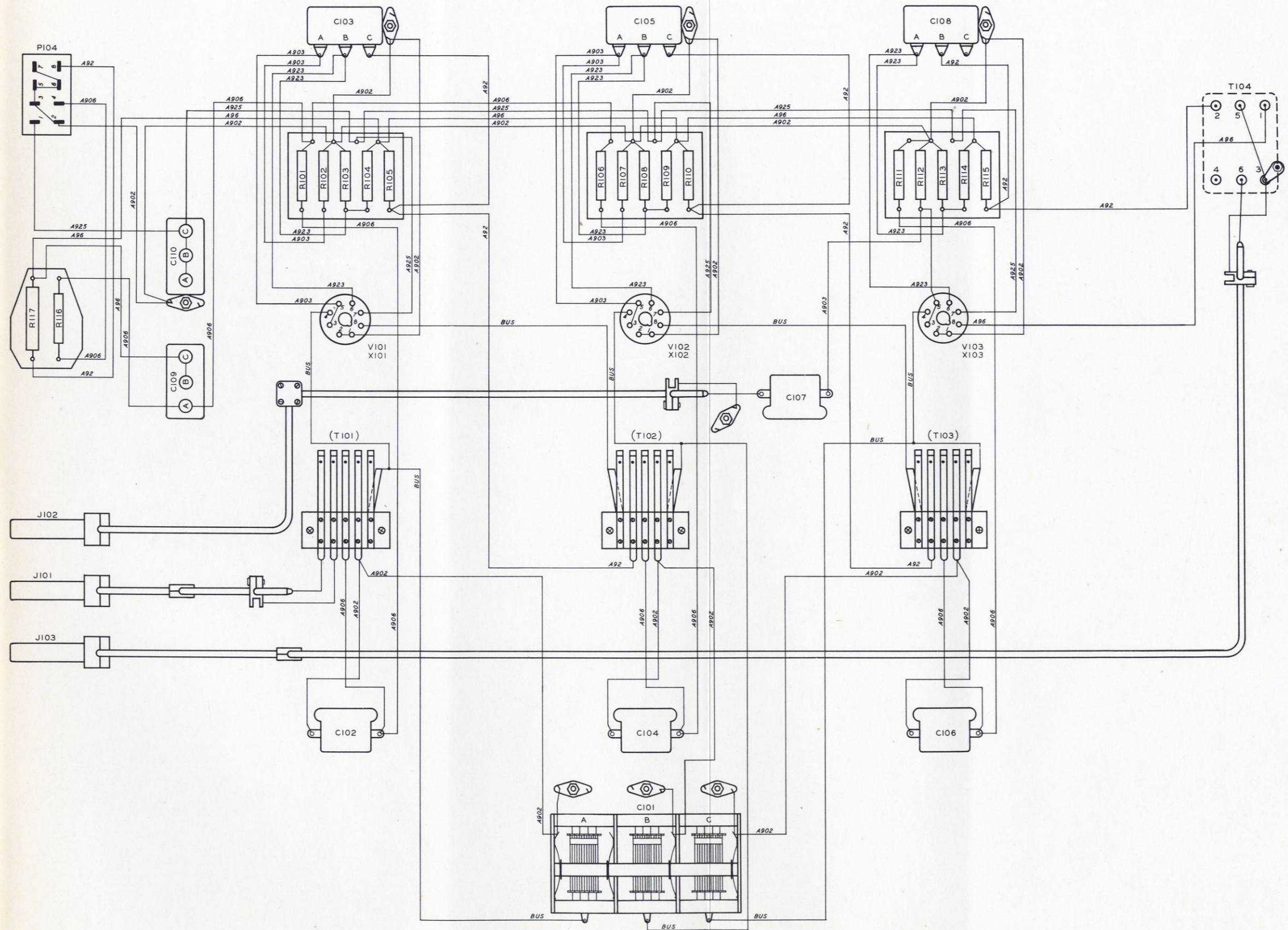




DO NOT SCALE DWG.

COLLINS RADIO COMPANY  
CEDAR RAPIDS, IOWA

UNIT:55A-2 TUNER UNIT-PRACTICAL WIRING DIAGRAM											
DESIGN: 2290	DETAIL: REG	DATE: 5-27-42	REVISED: REG	D-1563	DATE: 8-5-42	SCALE	DWG. NO. K389D-3				
LAYOUT:	CHECK:	DATE: 7-3-42	QUANTITY				IT.	PART NO.	DESCRIPTION	MAT'L	FIN.





DO NOT SCALE DWG.

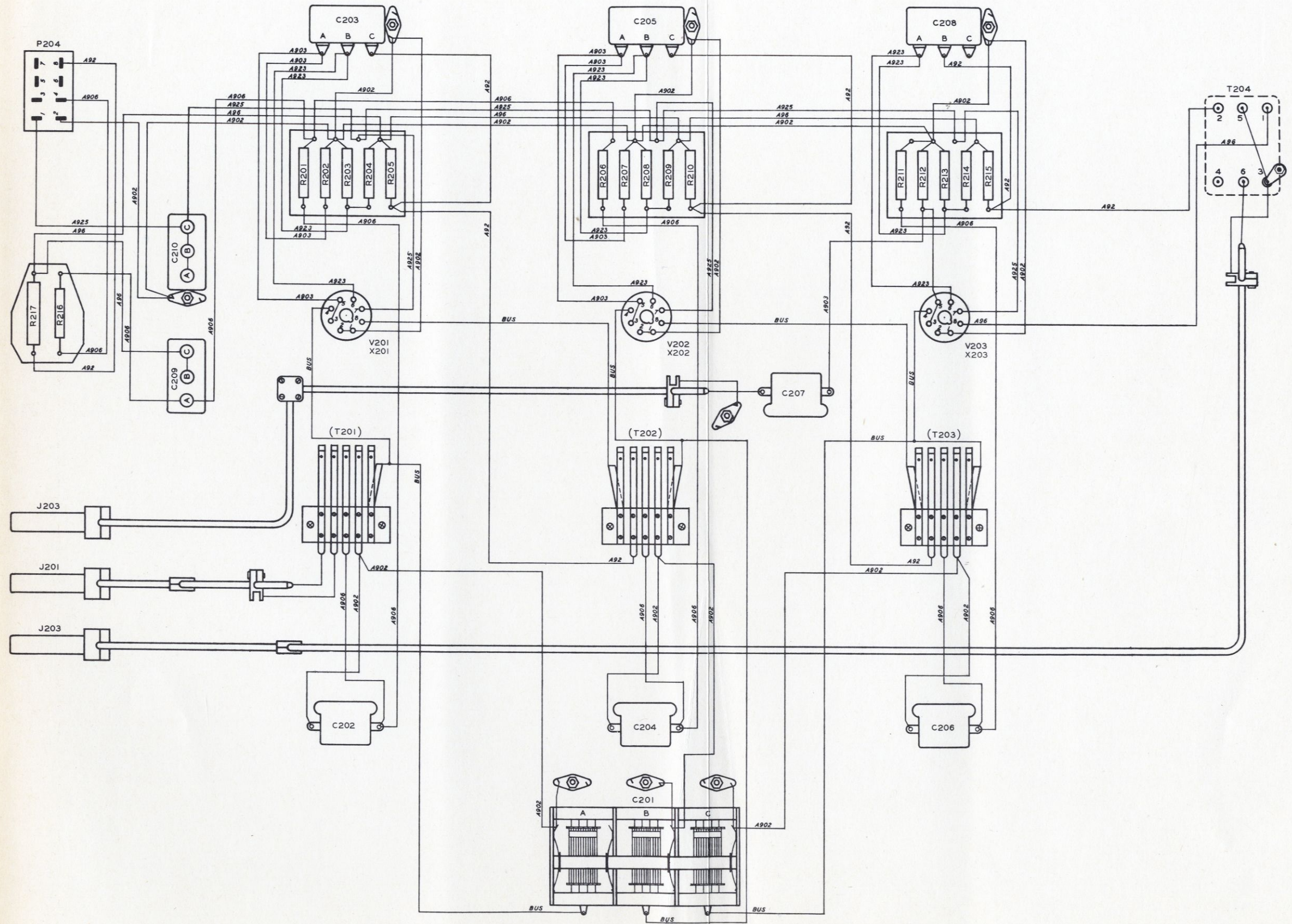
COLLINS RADIO COMPANY  
CEDAR RAPIDS, IOWA

UNIT: 55B-2 TUNER UNIT-PRACTICAL WIRING DIAGRAM

DESIGN: REG DATE: 6-3-42  
LAYOUT: CHECK: DATE: 6-4-42

REVISED: DATE: SCALE: DWG. NO. K429D

QUANTITY: G F E D C B A IT PART NO. DESCRIPTION MAT'L FIN.









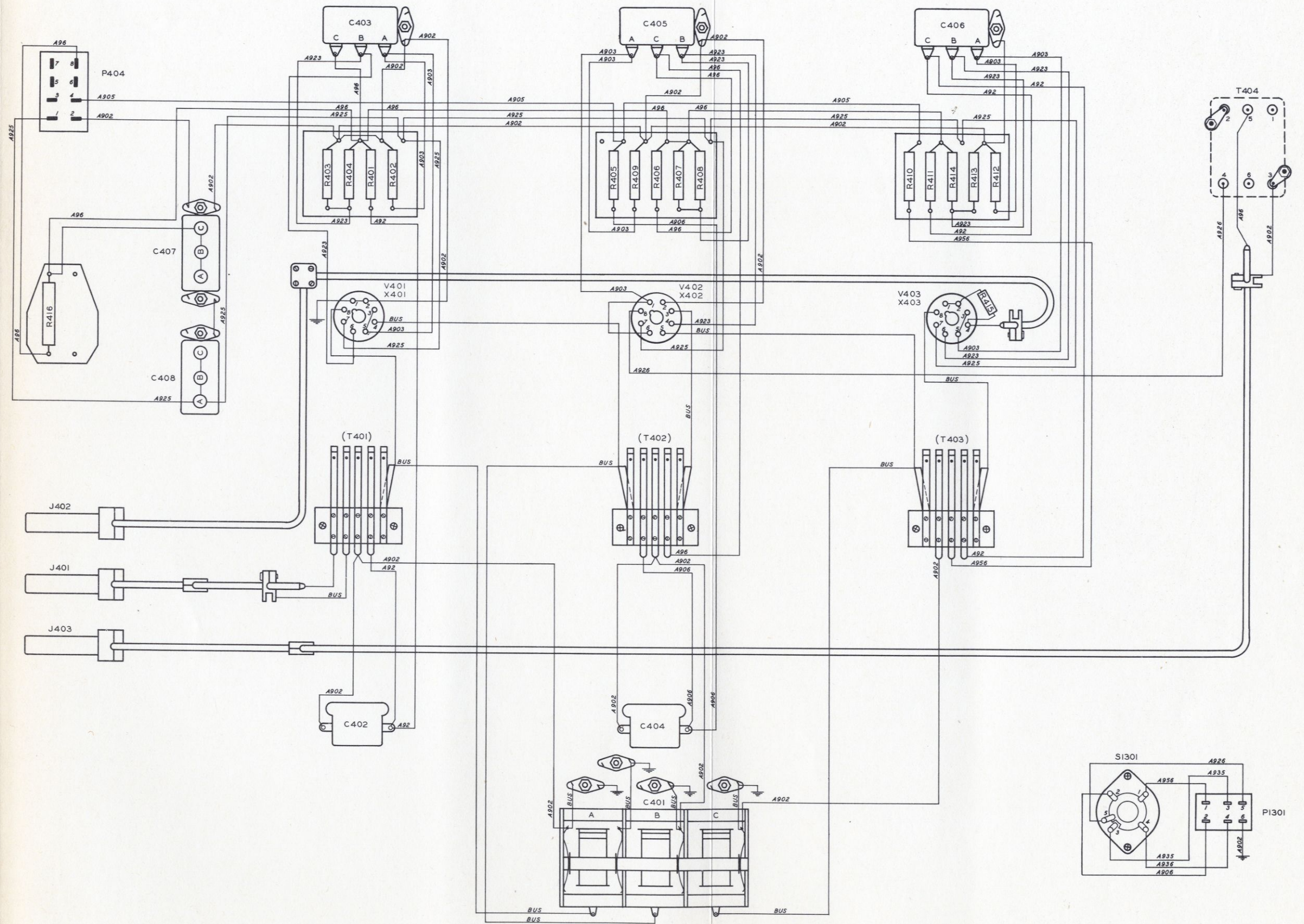
DO NOT SCALE DWG.

COLLINS RADIO COMPANY  
CEDAR RAPIDS, IOWA

UNIT:55D-2 MIXER UNIT - PRACTICAL WIRING DIAGRAM

DWG. No. K387D-2

DESIGN: P. B. W.	DETAIL: R. E. G.	DATE: 5-15-42	REVISED: R. E. G.	D-1704	DATE: 7-18-42	SCALE		
LAYOUT:	CHECK:	DATE: 7-7-42						
QUANTITY								
G	F	E	D	C	B	A		
PART NO.						DESCRIPTION	MAT'L	FIN.



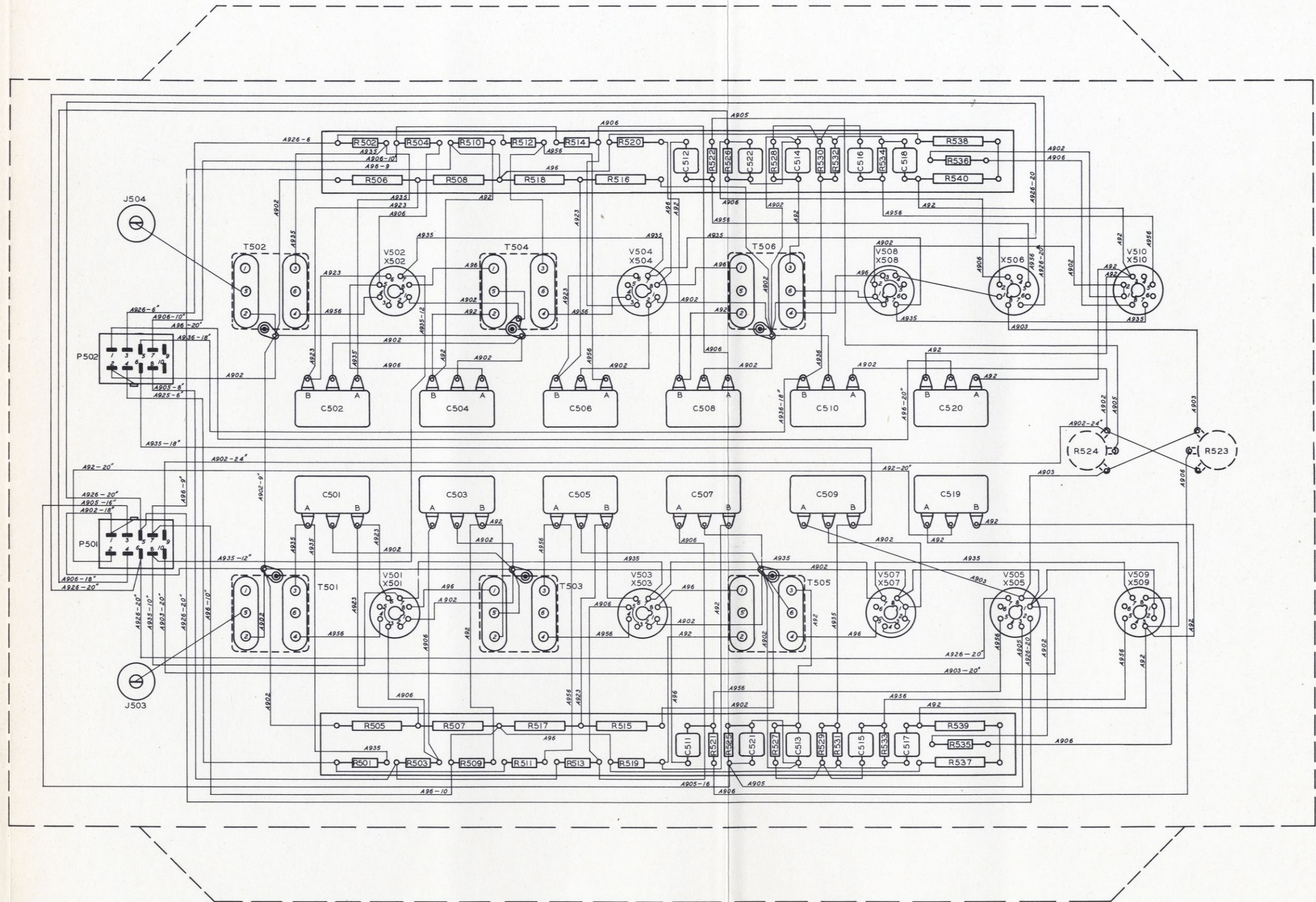


DO NOT SCALE DWG.

COLLINS RADIO COMPANY  
CEDAR RAPIDS, IOWA

UNIT: 347A-2 I.F. UNIT - PRACTICAL WIRING DIAGRAM

DESIGN: P.H.W.	DETAIL: R.E.C.	DATE: 4-30-42	REVISED:	DATE:	SCALE:	DWG. NO. K403D		
LAYOUT:	CHECK: J.S.	DATE: 7-7-42	QUANTITY:	IT.	PART NO.	DESCRIPTION	MAT'L	FIN.





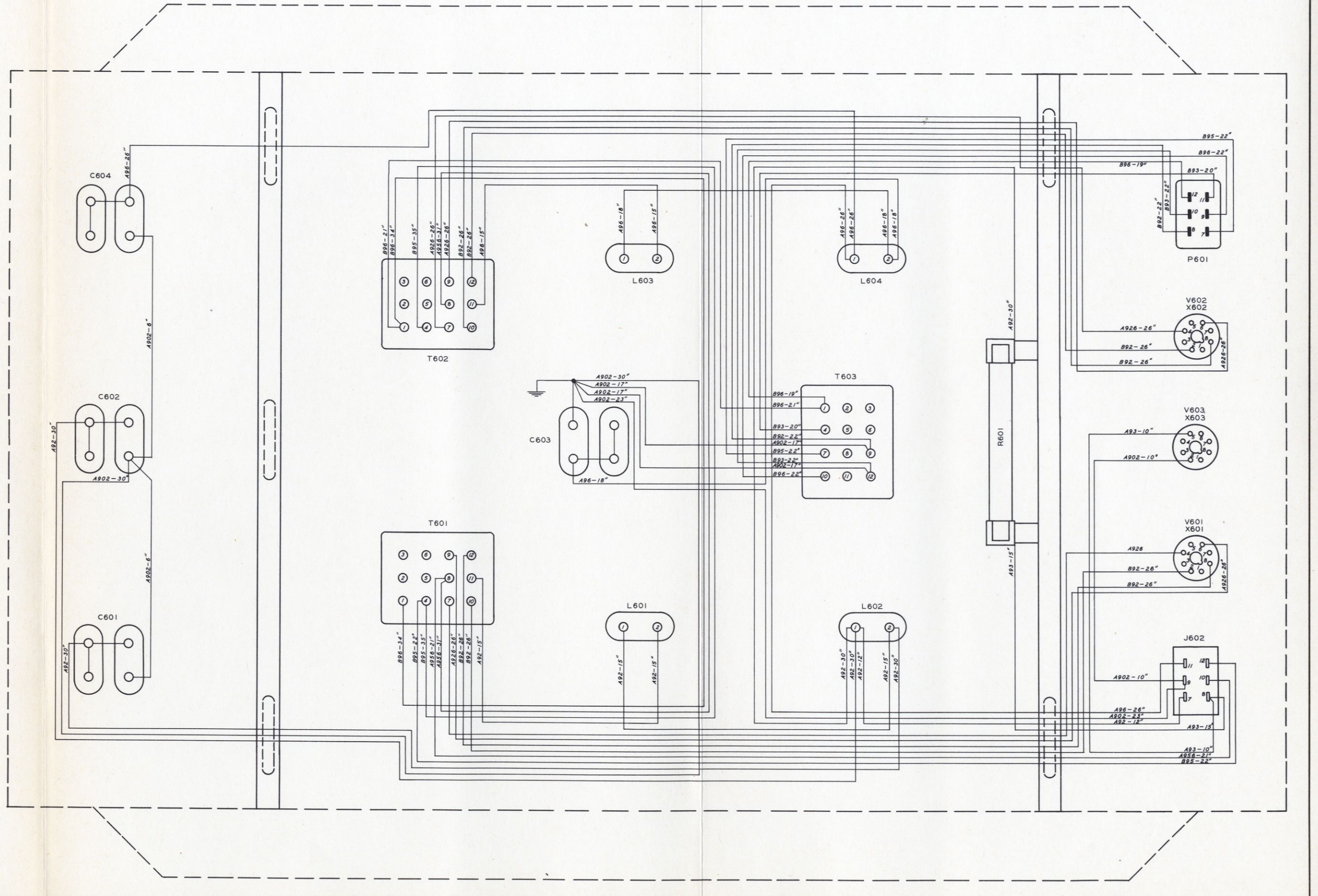
DO NOT SCALE DWG.

COLLINS RADIO COMPANY  
CEDAR RAPIDS, IOWA

UNIT: 409R-2 POWER SUPPLY UNIT-PRACTICAL WIRE. DIAGRAM

DESIGN: R.E.G. DATE: 3-12-42  
LAYOUT: CHECK: DATE: 6-7-42  
REVISED: DATE: SCALE: DWG. NO. K426D

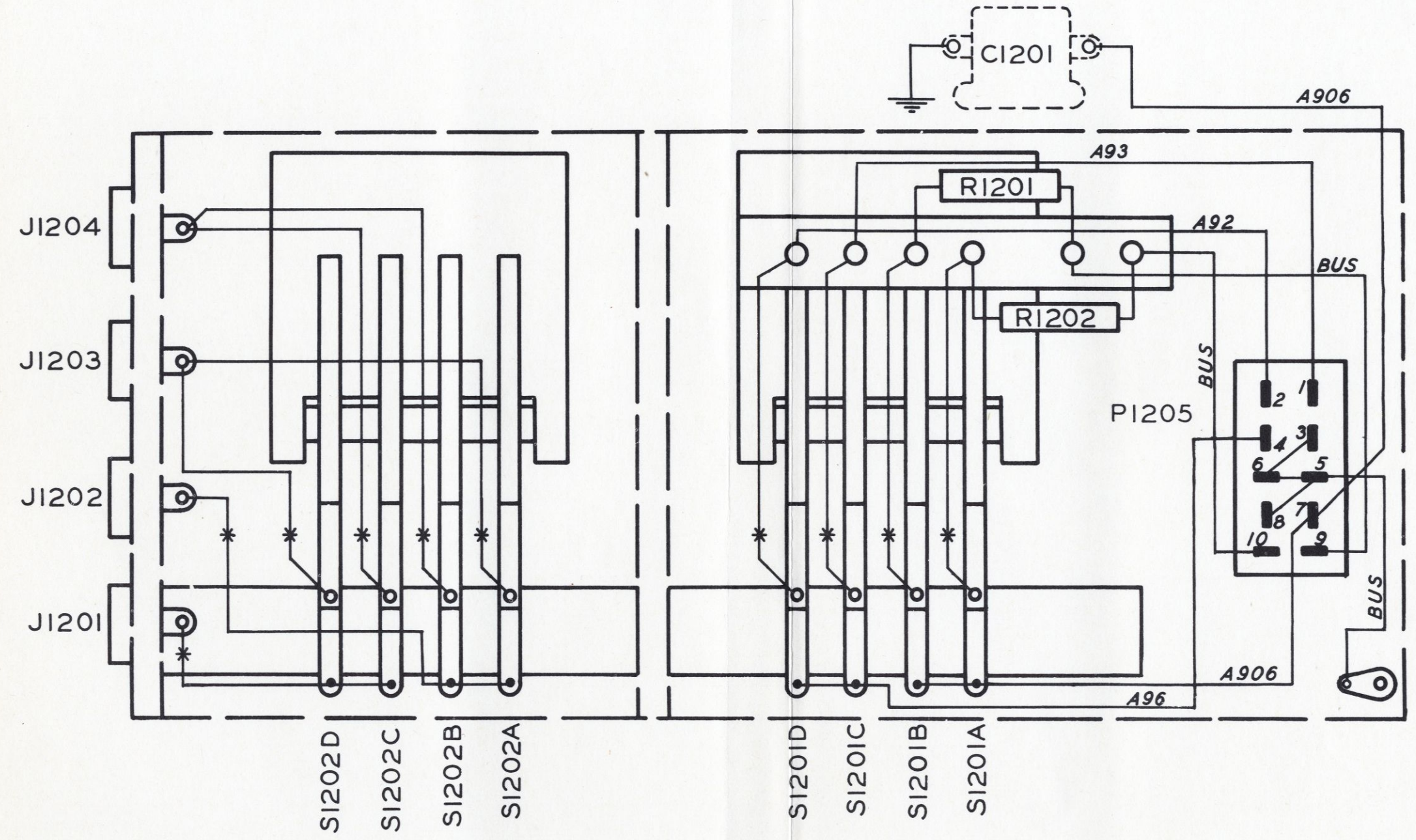
QUANTITY										PART NO.	DESCRIPTION	MATT'L	FIN.	
G	F	E	D	C	B	A	IT.							





COLLINS RADIO COMPANY CEDAR RAPIDS, IOWA			UNIT: 347E-2 COMMUTATOR PRACTICAL WIRING DIAGRAM						
DESIGN: <i>PG</i> DETAIL: <i>F.T.F.</i> DATE: 6-5-42			REVISED: <i>G.J.W. D-2070</i> DATE: 9-22-42		SCALE	DWG. NO. K989A-1			
LAYOUT:	CHECK: <i>PG</i>	DATE: 6-18-42	QUANTITY		IT.	DESCRIPTION	PART NO.	MAT'L	FIN.
			G	F					

DO NOT SCALE DWG.



\* BURGLAR TRAP WIRE

ALL FRACTIONAL DIMENSIONS ± \_\_\_\_\_  
 ALL DECIMAL DIMENSIONS ± \_\_\_\_\_  
 UNLESS OTHERWISE NOTED.





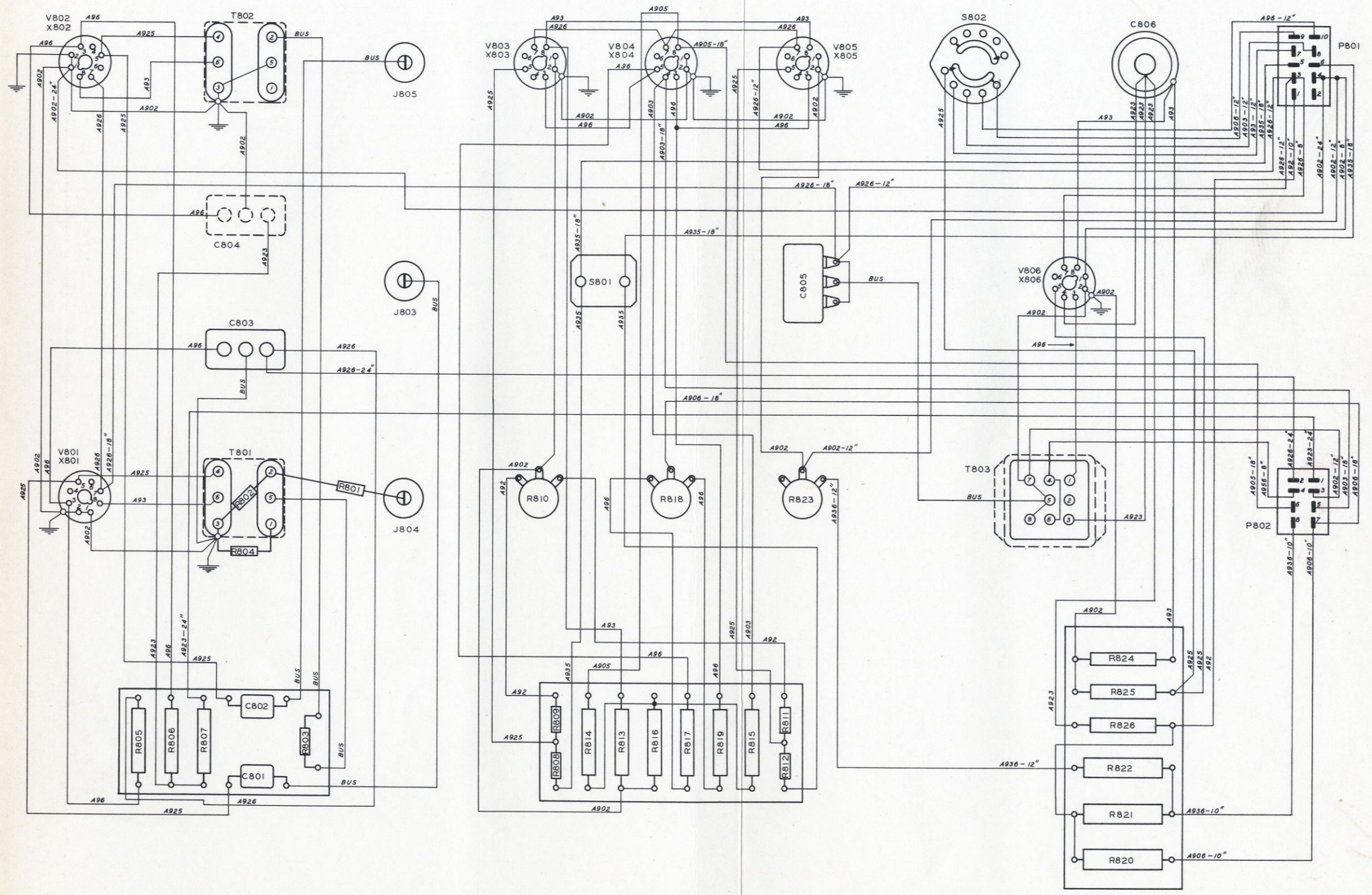


DO NOT SCALE DWG.

COLLINS RADIO COMPANY  
CEDAR RAPIDS, IOWA

UNIT: 54G-2 MONITOR UNIT-PRACTICAL WIRING DIAGRAM  
DESIGN: J.F.S. DETAIL: REC DATE: 3-5-42  
LAYOUT: CHECK: J.F.S. DATE: 4-5-42  
REVISED: DATE: SCALE DWG. NO. K 425D

QUANTITY											PART NO.	DESCRIPTION	MAT'L	FIN.
G	F	E	D	C	B	A	IT.							





DO NOT SCALE DWG.

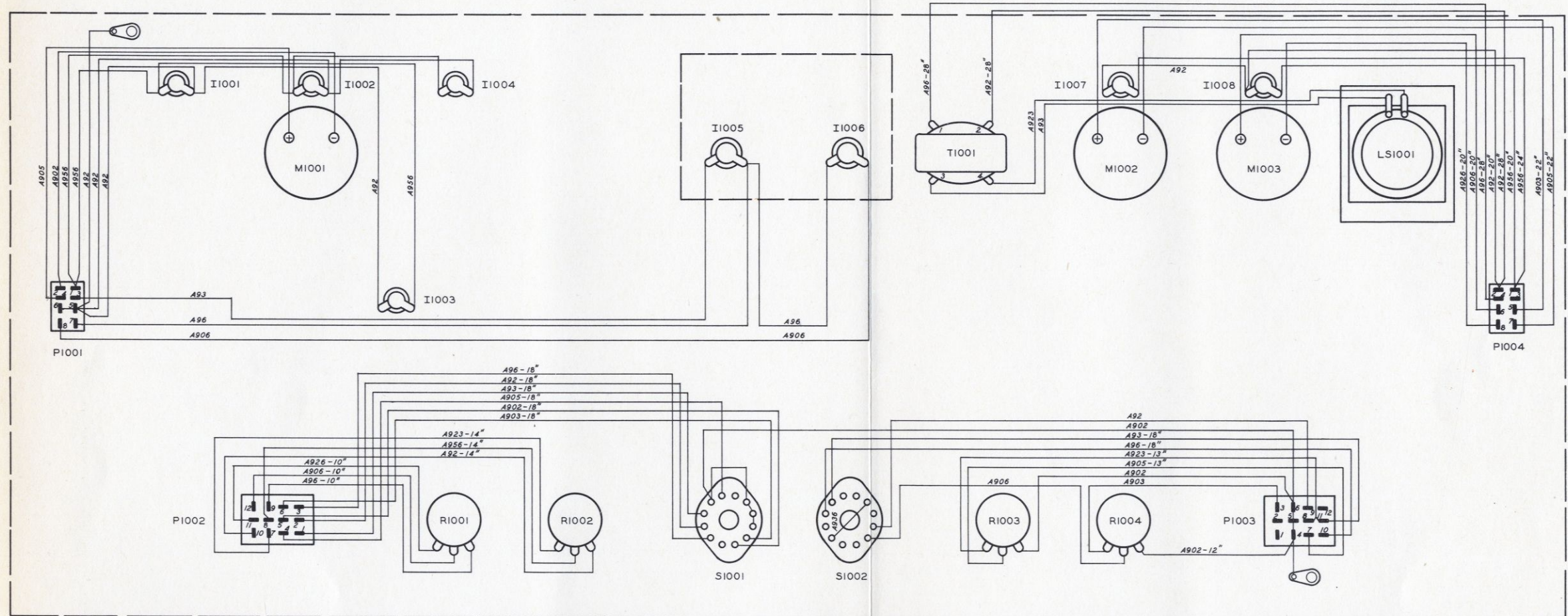
COLLINS RADIO COMPANY  
CEDAR RAPIDS, IOWA

UNIT: 82S-2 METER PANEL PRACTICAL WIRING DIAGRAM

DESIGN: P.H.W.    DETAIL: REG    DATE: 5-30-42    REVISED: REG D-854 DATE: 6-1-42  
LAYOUT: F.T.F.    CHECK: J.G.    DATE: 7-7-42

SCALE    DWG. NO. K 395D-1

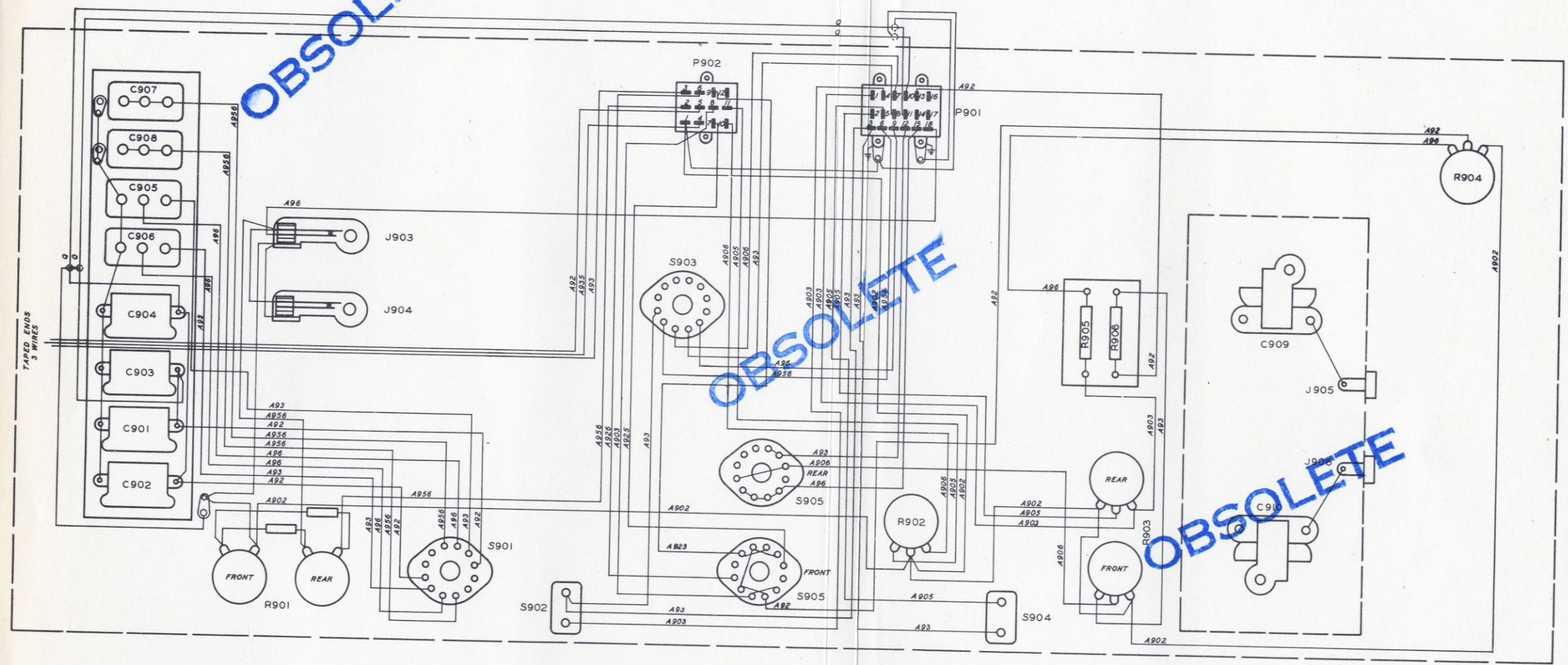
QUANTITY										IT.	PART NO.	DESCRIPTION	MAT'L	FIN.





DO NOT SCALE DWG.

COLLINS RADIO COMPANY CEDAR RAPIDS, IOWA		UNIT: 101T-2 CONTROL PANEL PRACTICAL WIRING DIAGRAM				DWG. NO. K 394D - 1										
DESIGN: <i>[initials]</i>	DETAIL: <i>F.T.F.</i>	DATE: 6-18-42	REVIS: G.J.W. D-2068	DATE: 9-22-42	SCALE											
LAYOUT: <i>F.T.F.</i>	CHECK: <i>[initials]</i>	DATE: 6-19-42			QUANTITY											
					G	F	E	D	C	B	A	IT.	PART NO.	DESCRIPTION	MAT'L	FIN.

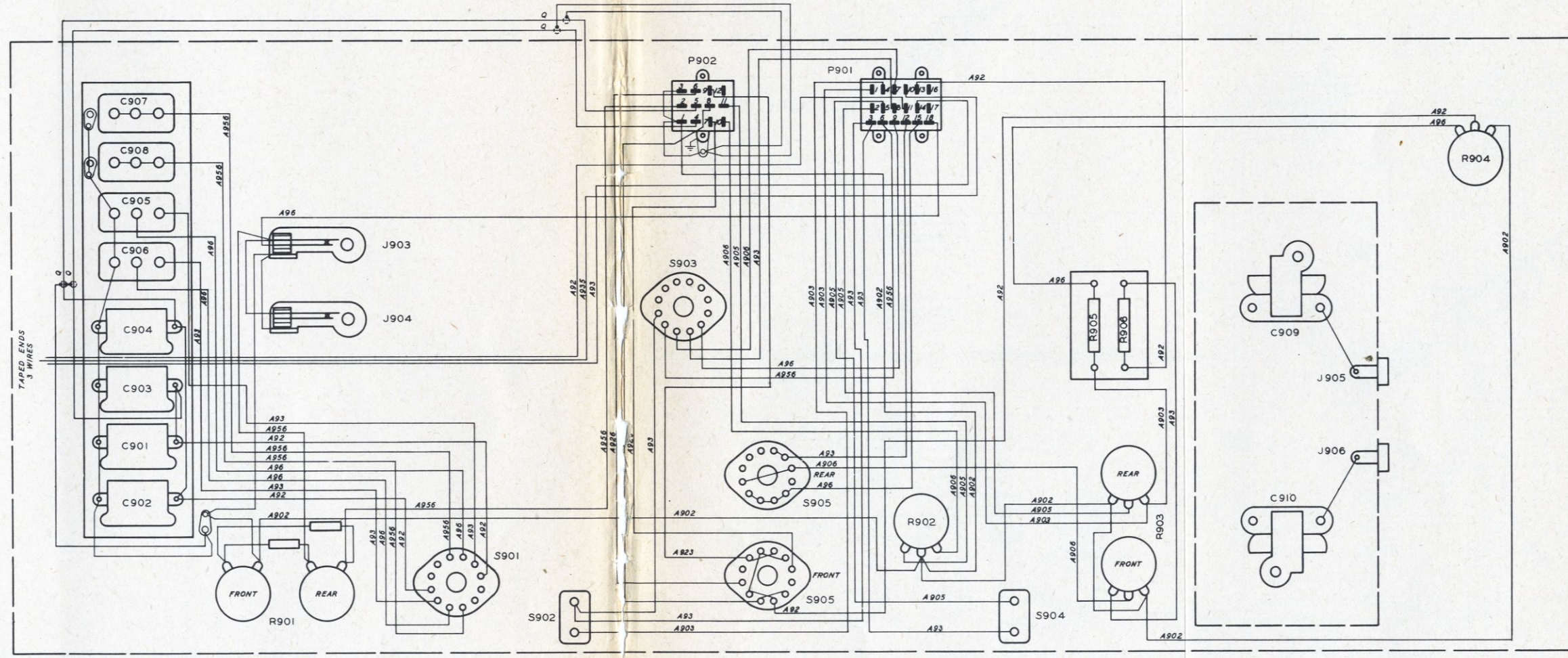




DO NOT SCALE DWG.

CONFIDENTIAL

USED ON 330A-2	COLLINS RADIO COMPANY CEDAR RAPIDS, IOWA	UNIT: 101T-3 CONTROL PANEL PRACTICAL WIRING DIAGRAM	SCALE	DWG. NO. 500 0211 00D
DESIGN: J.F.P.	DETAIL: F.T.P.	DATE: 8-25-43	REVISED:	DATE:
LAYOUT: F.T.P.	CHECK: J.K.P.	DATE: 9-16-43	REVISIONS:	
QUANTITY		G	F	E
		D	C	B
		A	IT.	PART NO.
		DESCRIPTION		MAT'L
				FIN.





DO NOT SCALE DWG.

COLLINS RADIO COMPANY  
CEDAR RAPIDS, IOWA

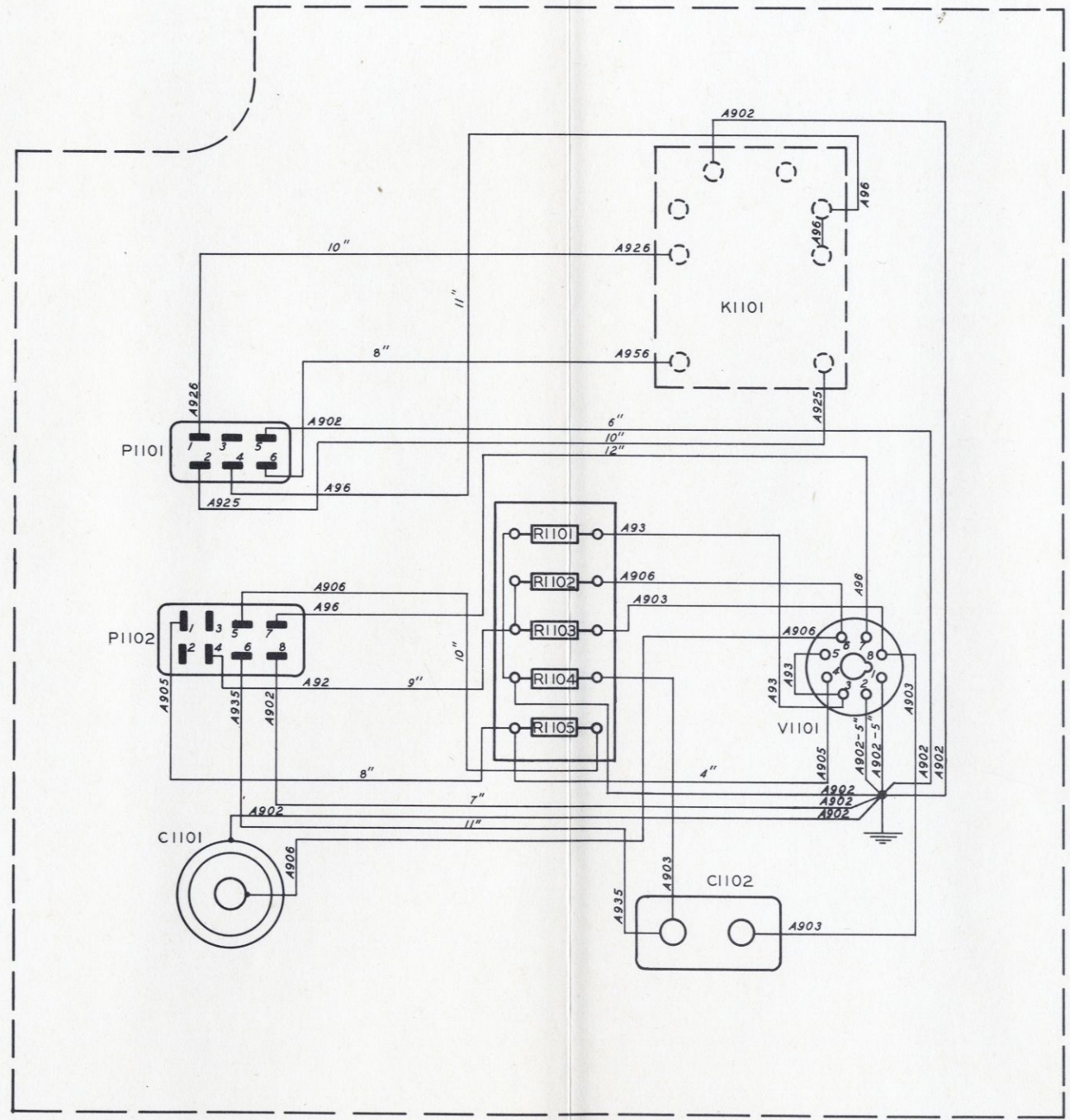
UNIT: 347B-2 OSCILLOSCOPE AMPLIFIER - PRACT. WIRE. DIAG.

DESIGN: JRG. CHECK: JRG. DATE: 3-10-42. DATE: 6-5-42.

REVISD: DATE: SCALE

DWG. NO. K886C

QUANTITY										IT.	PART NO.	DESCRIPTION	MAT'L	FIN.



ALL FRACTIONAL DIMENSIONS  $\pm 1/64$   
ALL DECIMAL DIMENSIONS  $\pm .005$   
UNLESS OTHERWISE NOTED.



DO NOT SCALE DWG.

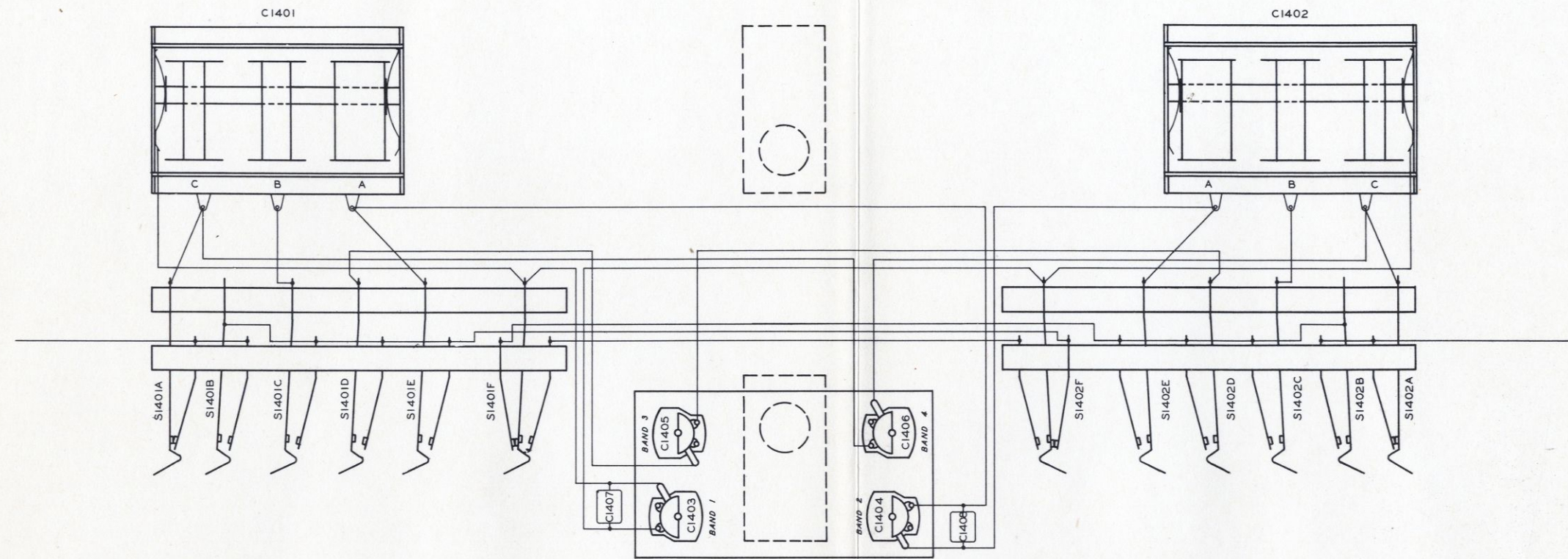
COLLINS RADIO COMPANY  
CEDAR RAPIDS, IOWA

UNIT: 348E-3 RIGHT LOOP - PRACTICAL WIRING DIAGRAM

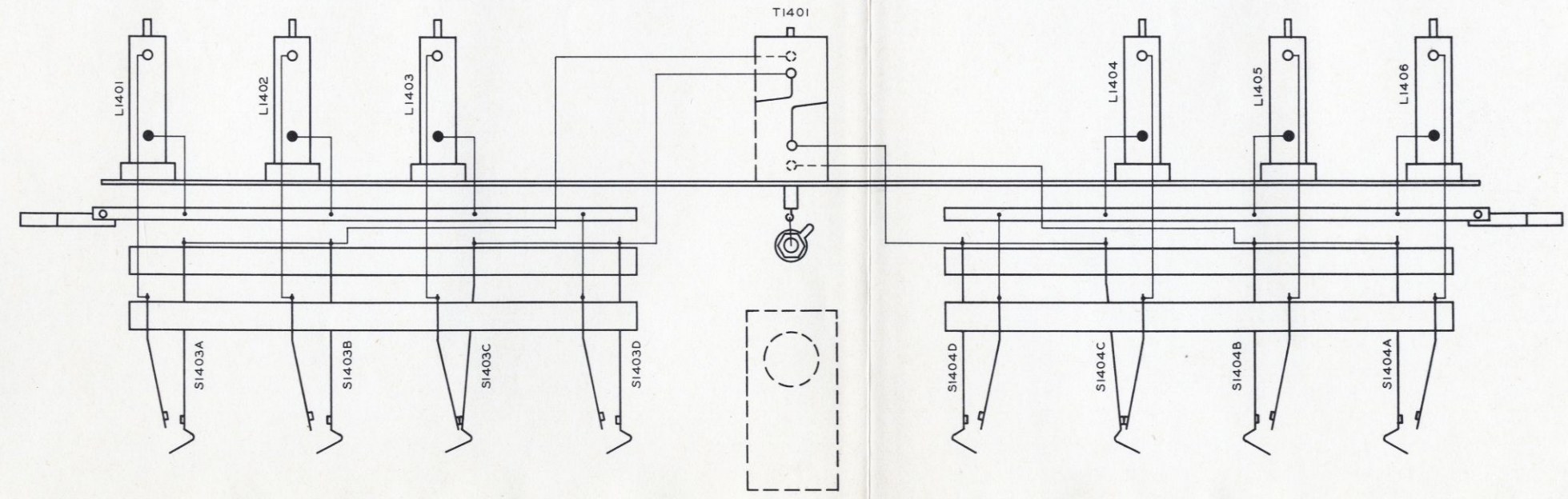
DESIGN: REC DATE: 6-5-42  
LAYOUT: CHECK: DATE: 6-9-42  
REVISED: DATE: SCALE

DWG. NO. K405D

QUANTITY										IT.	PART NO.	DESCRIPTION	MAT'L	FIN.



NOTE: ALL WIRING \* 12 BUS





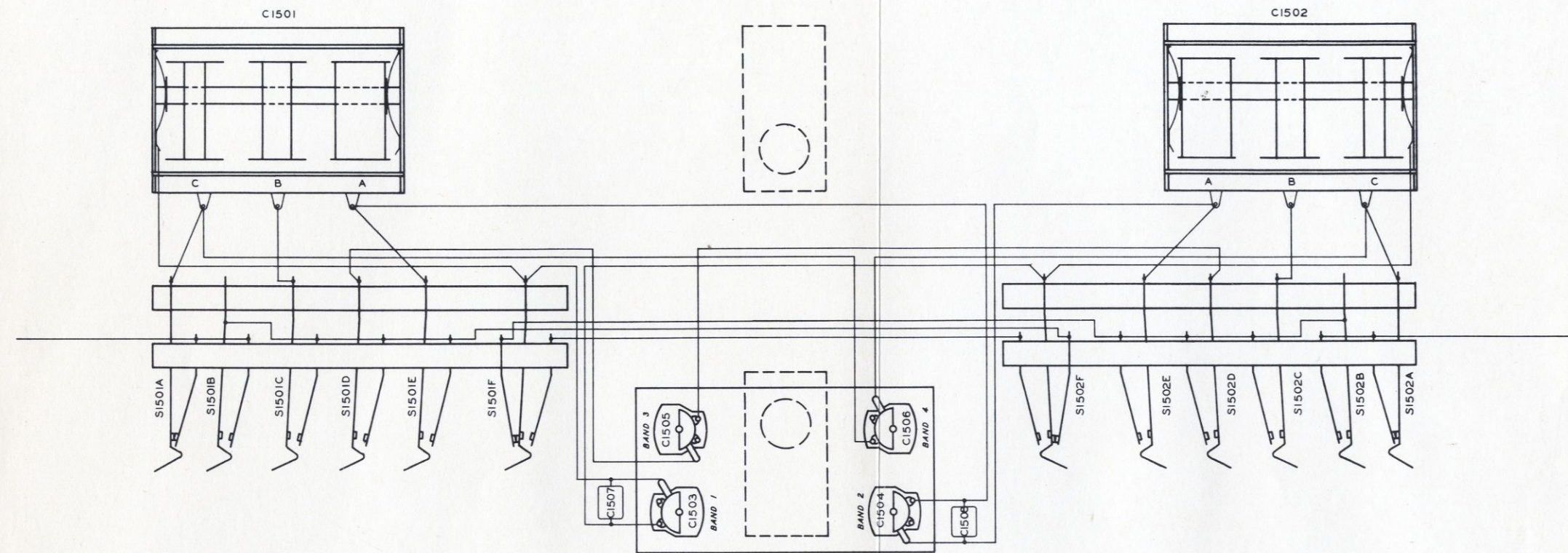
DO NOT SCALE DWG.

COLLINS RADIO COMPANY  
CEDAR RAPIDS, IOWA

UNIT: 348E-4 LEFT LOOP - PRACTICAL WIRING DIAGRAM

DWG. NO. K448D

DESIGN: <i>W</i>	DETAIL: <i>W</i>	REG. DATE: 6-18-42	REVISED:	DATE:	SCALE:	PART NO.		DESCRIPTION		MAT'L	FIN.
LAYOUT:	CHECK:	DATE: 6-18-42	QUANTITY:	G	F	E	D	C	B	A	



NOTE: ALL WIRING #12 BUS

