

**AUTOMATIC AND CB SYSTEMS**  
**SUBSCRIBERS PRIVACY EQUIPMENT WITH EXTENSION PLAN 1A ON**  
**EXCHANGE LINES AND 2 WIRE PBX EXTENSIONS, USING TELEPHONE No 740---(NOTE II)**

NOTES:-

FOR THE TELEPHONE WITH PRIVACY FACILITIES:

1. PROVIDE:-

Telephone No. 740...  
 Privacy Set No. 8  
 Cord Instrument No. 12/15AD...  
 Cord Instrument No. 6/61AT...  
 Block Terminal No. 37B (Intermediate Extn)  
 Block Terminal No. 36B (Main or Last Extn)  
 Part 1/DSP/1244  
 2 Parts 1/DBU/372  
 Part 10/DBU/372 ) Extensions only  
 Switch No. 5A-9 or 23A-1 )  
 Part 8/DBU/372 ) At each Telephone if  
 Switch No. 5A-4 ) recall is required  
 Switch No. 19B-1  
 Part 1/DST/26  
 Part 2/DST/836

2. For the Telephones without privacy facilities provide the apparatus shown on Dgms. N4502 or N4542.
3. Fit Auxiliary Units and Press Buttons as shown (See Dgms. N840, N848 and N849).

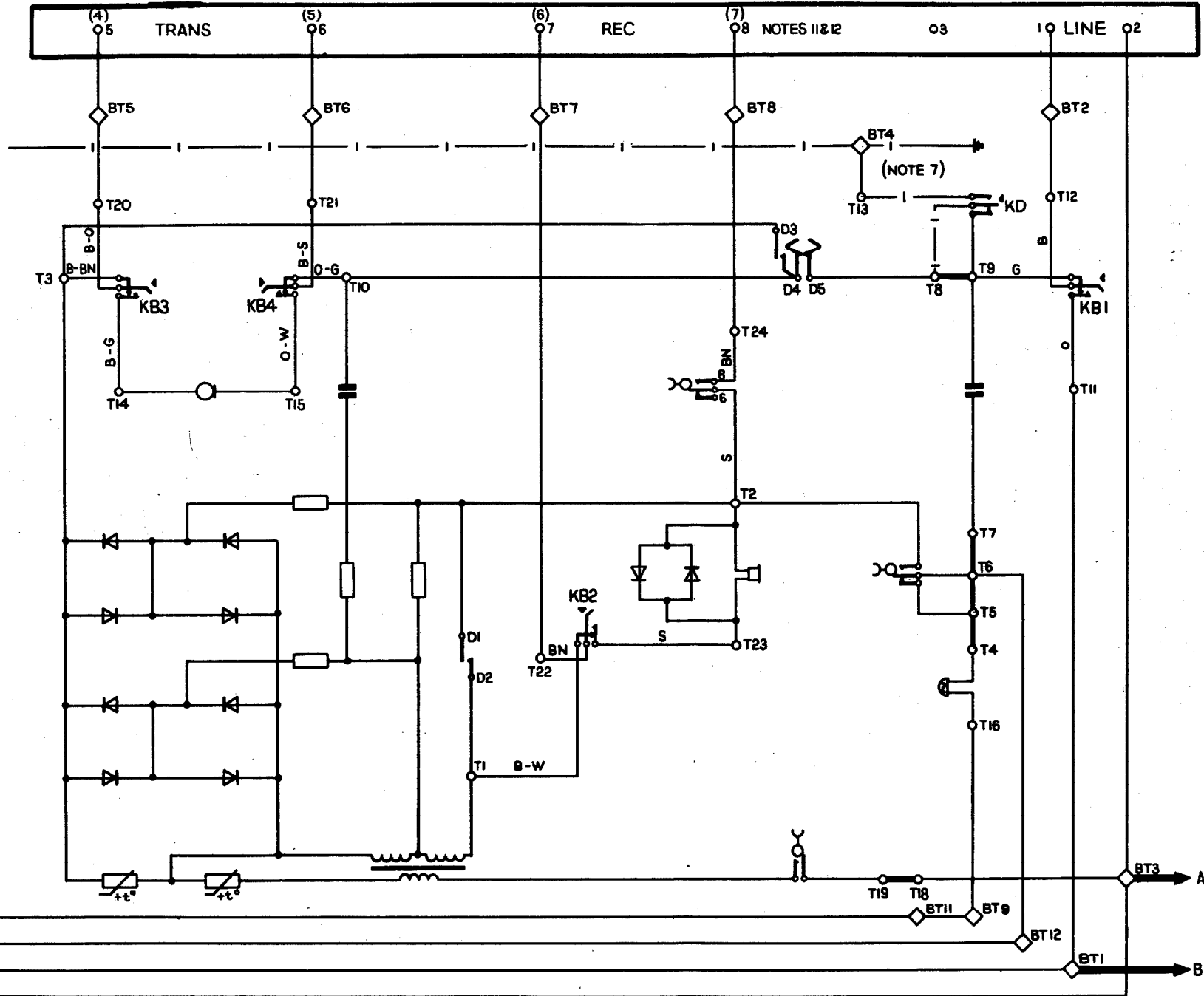
| BUTTON LAYOUT ON TELE | ON/OFF OR DUMMY   | S                  | N                | RECALL OR DUMMY   |
|-----------------------|-------------------|--------------------|------------------|-------------------|
| KEY LATCHES           | KA                | KB                 | KC               | KD                |
| LATCH SETTING         | 3                 | 1                  | 2                | 2                 |
| PART OR SWITCH        | SWITCH<br>No 5A-9 | PART<br>1/DSP/1244 | PART<br>1/DST/26 | SWITCH<br>No 5A-4 |
| BUTTON PART No        | 10/DBU/372        | 1/DBU/372          | 1/DBU/372        | 8/DBU/372         |

4. In the Telephone transfer the red wire from T1 to T23. Transfer the blue and white wires from T3 & T10 to T14 & T15 respectively.
5. If the Privacy Set is situated away from the Telephone an additional BT should be fitted, and connexion to the Telephone BT made by a length of 8W cable.
6. The cabling between the Telephones will be 8 wire if recall is provided, or 4 wire without Recall. If 4 wire cable is used, the blue, orange, green & brown wires are to correspond with the blue, orange, 'white of blue' and 'white of orange' wires shown in the Wiring Diagram.
7. If Recall is required provide an Earth and the Wiring and Parts, connected thus -1-1-.
8. For the last extension connect wiring shown -2-2-  
 For intermediate extensions connect wiring shown -3-3-
9. If an Extension Bell is required, connect Bell in place of Strap BT9-BT11 at Telephone with Privacy, or in place of Strap BT8-BT11 at other Telephones.
10. The A, B and Earth wires may be connected at an extension BT.
11. Privacy facilities are not normally provided at more than one telephone of a Plan 1A arrangement since the telephones with privacy are not then secret against each other. When the telephones are in the same room and/or the customer is aware of the weakness, privacy facilities at two telephones may be provided. The same Privacy Set may be used by teeing BT5, 6, 7, 8 & 2 at the required telephones. If privacy facilities at more than two telephones is required a UAA, SA5172 should be used, see Dgm. N5172.
12. The alternative terminal numbers shown in brackets refer to Privacy Sets No. 6 and No. 7.
13. For conversion of Privacy Set No. 8 to 12V working, see Dgm. N5164.
14. This diagram was previously issued as Dgm. SA(L)5166. The apparatus has been updated and the notes revised.

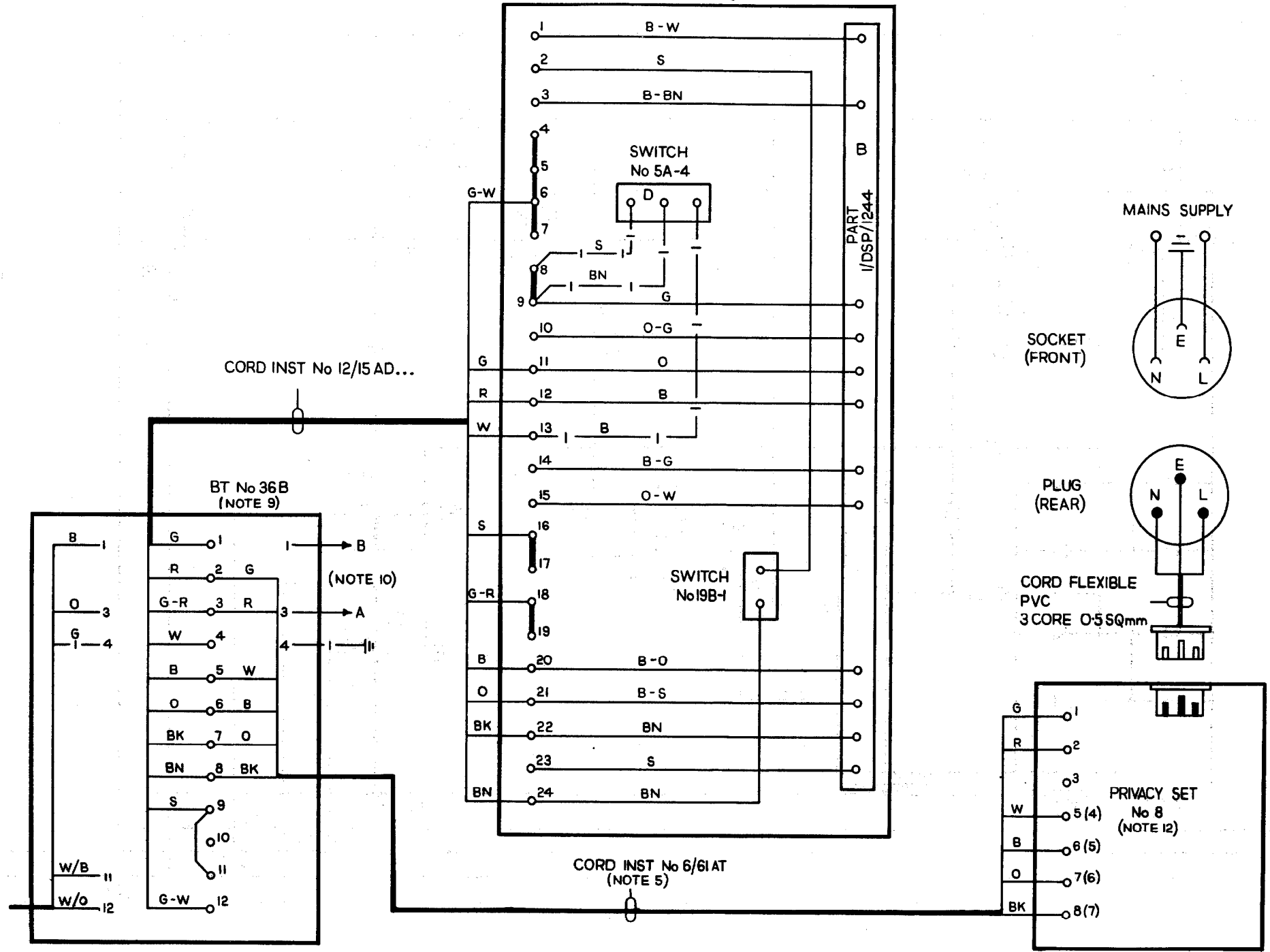
FOR GENERAL INFORMATION ON PRIVACY SETS, SEE T1's C3 M1070 AND C3 M1071

|  |       |            |             |          |
|--|-------|------------|-------------|----------|
| PC<br>TELECOMMS<br>HCRS.<br>PAPER:- R<br>DISTN:- NIL | ISSUE |            |             |          |
|  |       | <i>JAD</i> | <i>MBSM</i> | TD 7-2-3 |
|  |       |            |             | 23-9-74  |

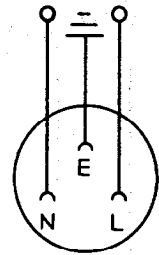
MAIN WITH PRIVACY  
PRIVACY SET



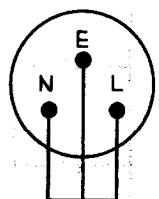
TELEPHONE No 740



MAINS SUPPLY



SOCKET (FRONT)

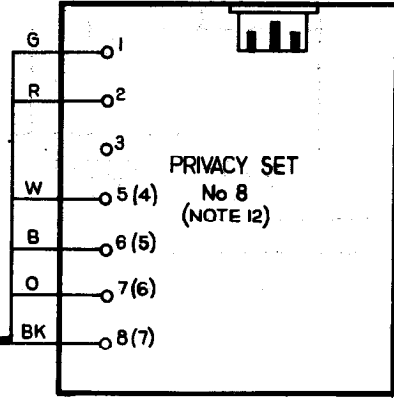


PLUG (REAR)

CORD FLEXIBLE PVC  
 3 CORE 0.5SQmm

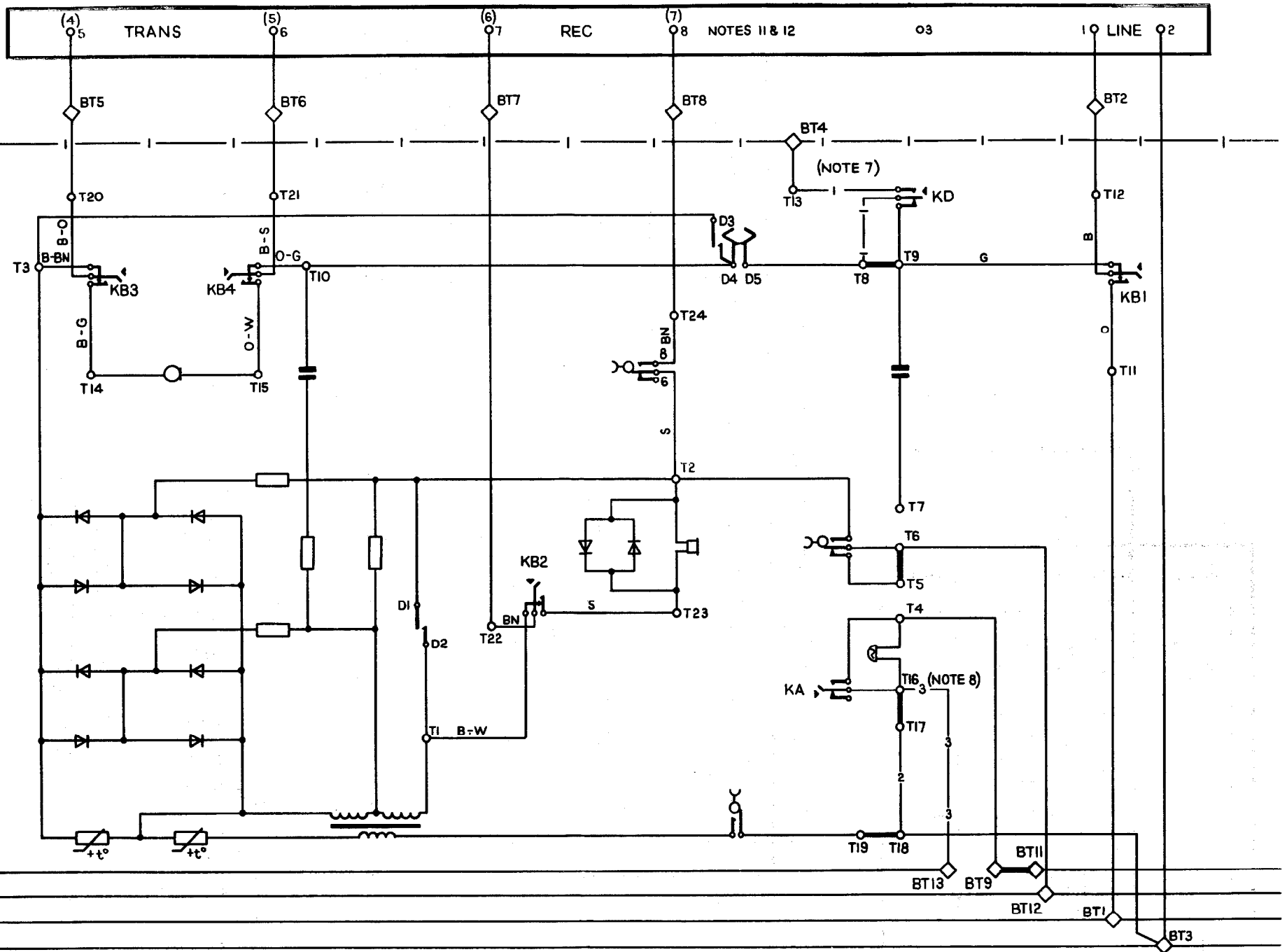


PRIVACY SET  
 No 8  
 (NOTE 12)



EXTN WITH PRIVACY  
(NOTE 8)  
PRIVACY SET

TO LAST EXTN (NOTE 8)

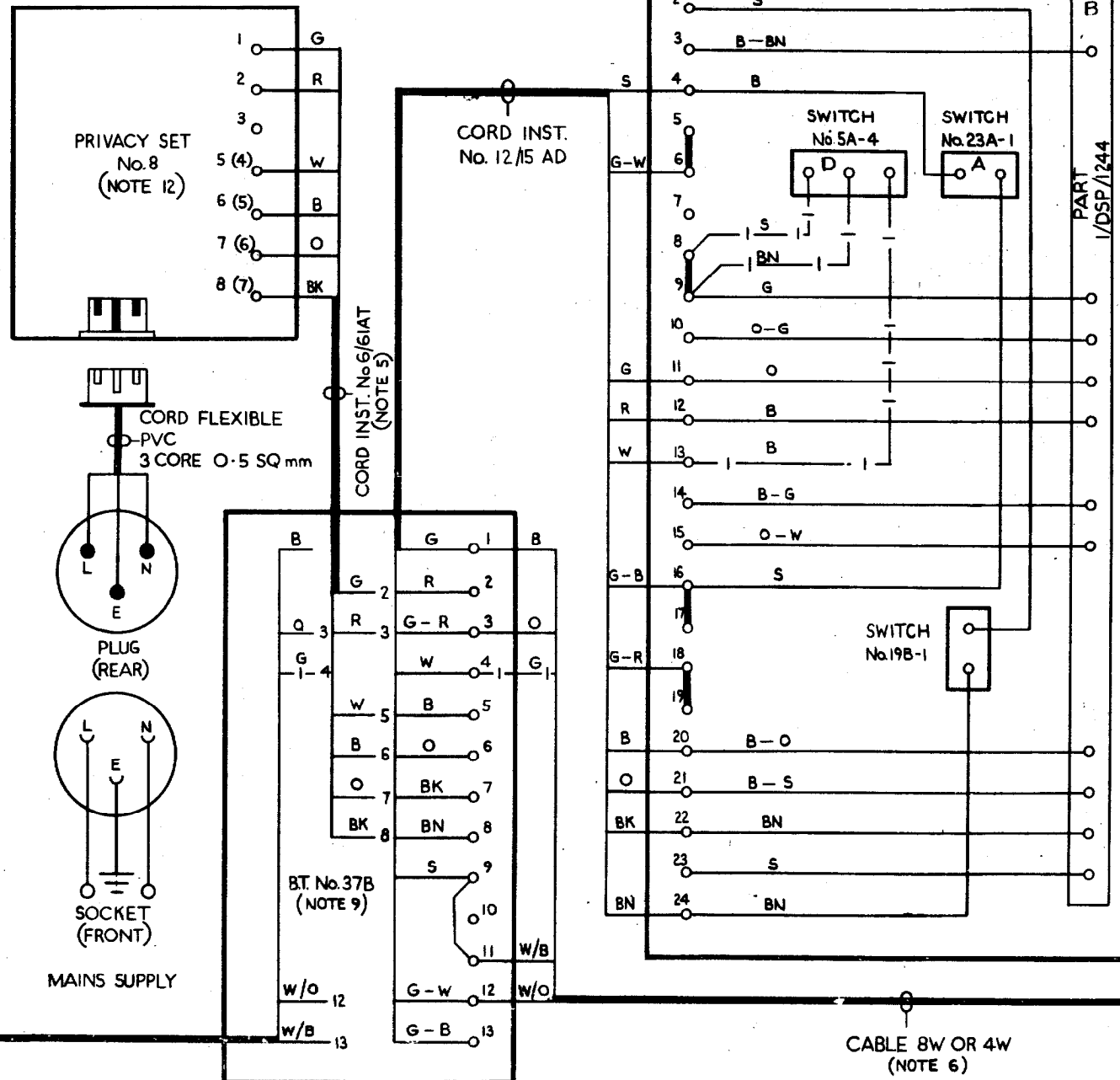


WIRING:  
INTERMEDIATE WITH PRIVACY (NOTES 1,3,4,7 & 11)

TELEPHONE 740

MAIN WITHOUT  
PRIVACY  
(NOTES 2 & 6)

LAST &  
INTERMEDIATE  
WITHOUT PRIVACY  
(NOTES 2 & 6)

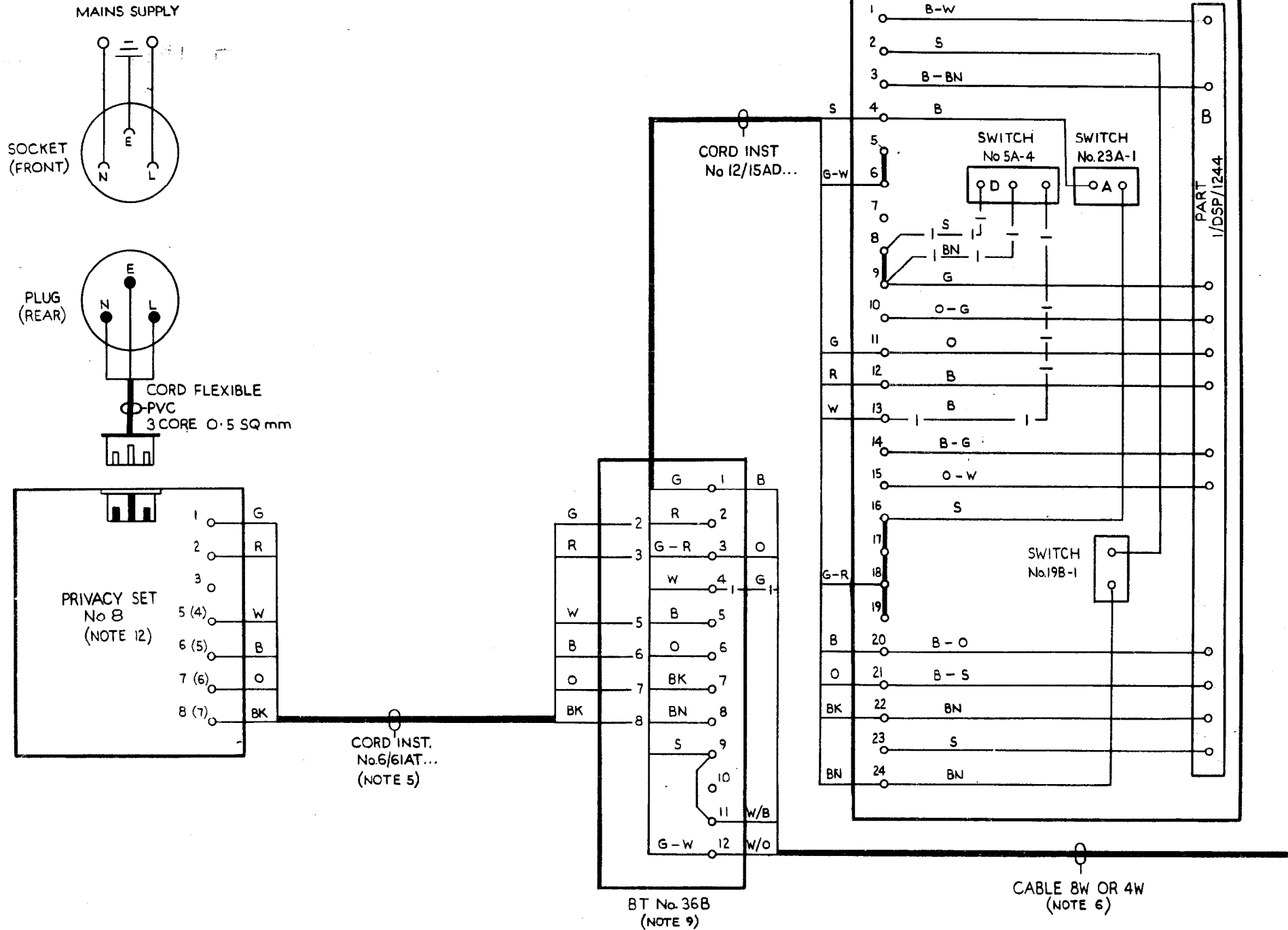


SEE PAGES 8 & 10  
FOR INTERMEDIATE &  
LAST EXTNS. WITHOUT  
PRIVACY

SEE PAGES 7 & 9  
FOR MAIN WITHOUT  
PRIVACY

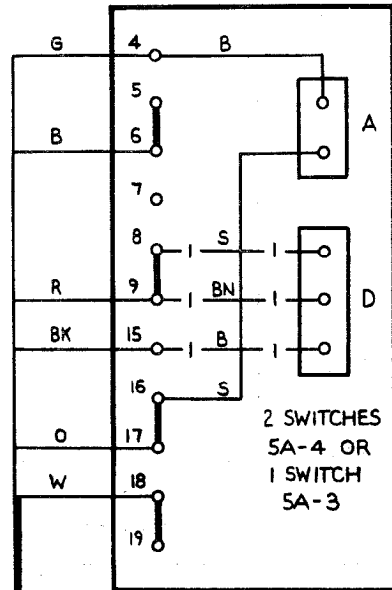
WIRING:  
LAST WITH PRIVACY (NOTES 1,3,4,7 & 11)

TELEPHONE No. 740



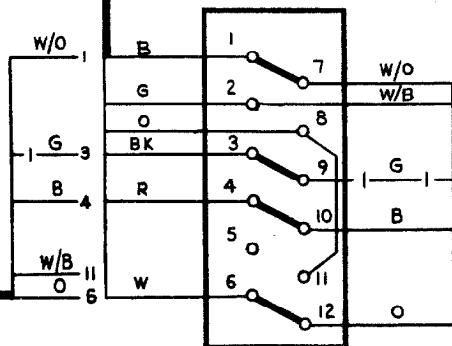
INTERMEDIATE WITHOUT PRIVACY (NOTES 2 & 7)

TELEPHONE No. 706 OR No. 746



CORD INST  
6/61AT...

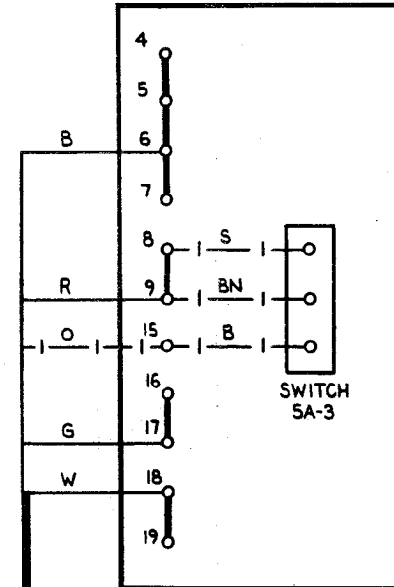
BT 36B



CABLE 8W OR 4W  
(NOTE 6)

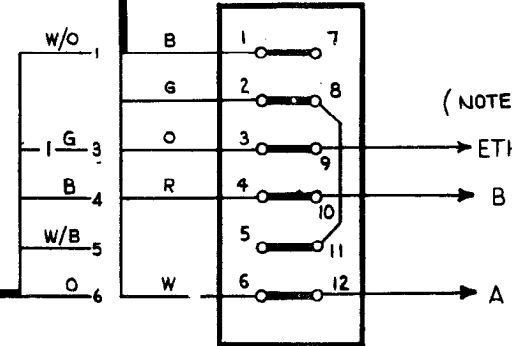
MAIN WITHOUT PRIVACY (NOTES 2 & 7)

TELEPHONE No. 706 OR 746



CORD INST 4/121AT...  
OR 6/61AT...

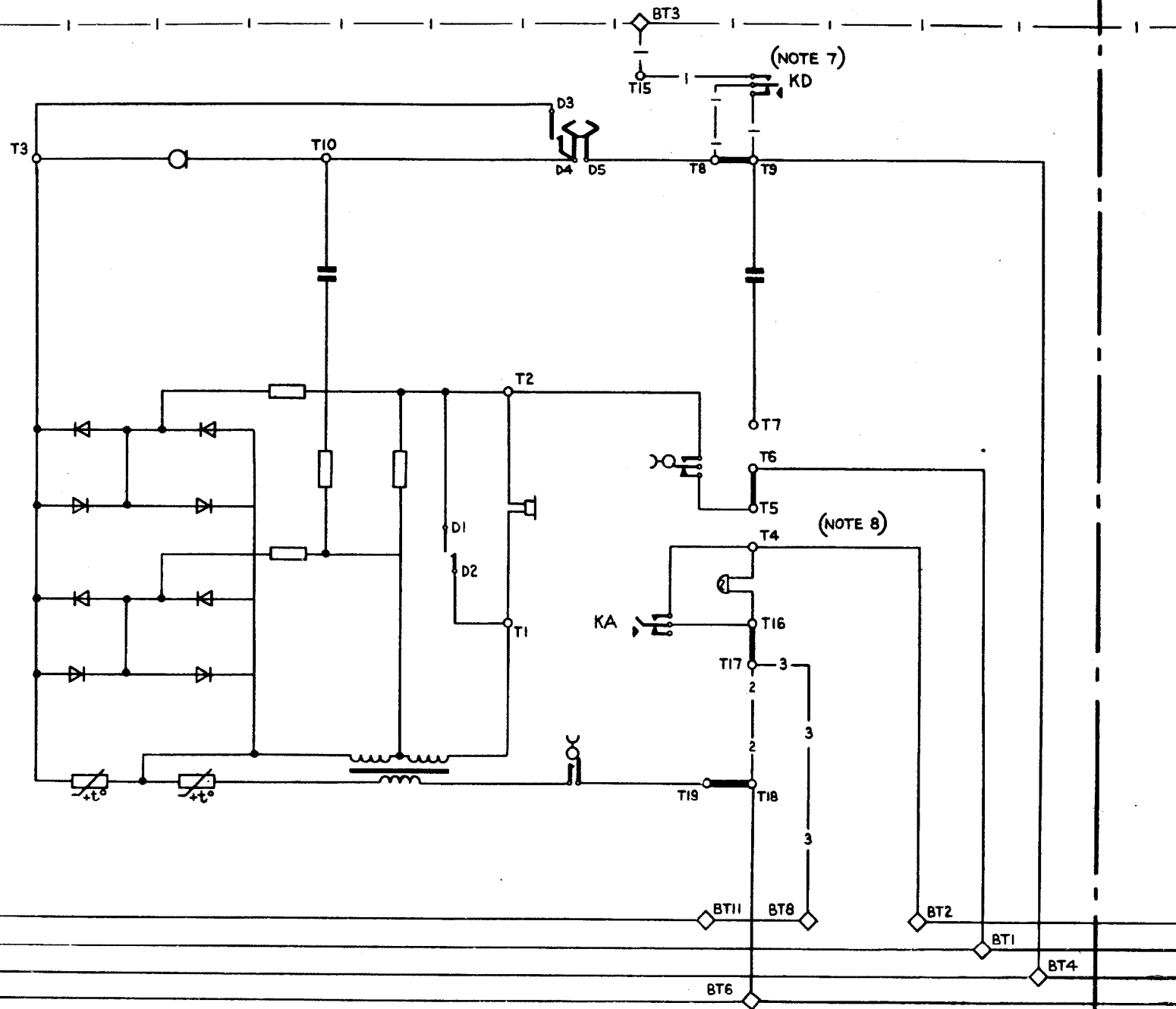
BT 35A



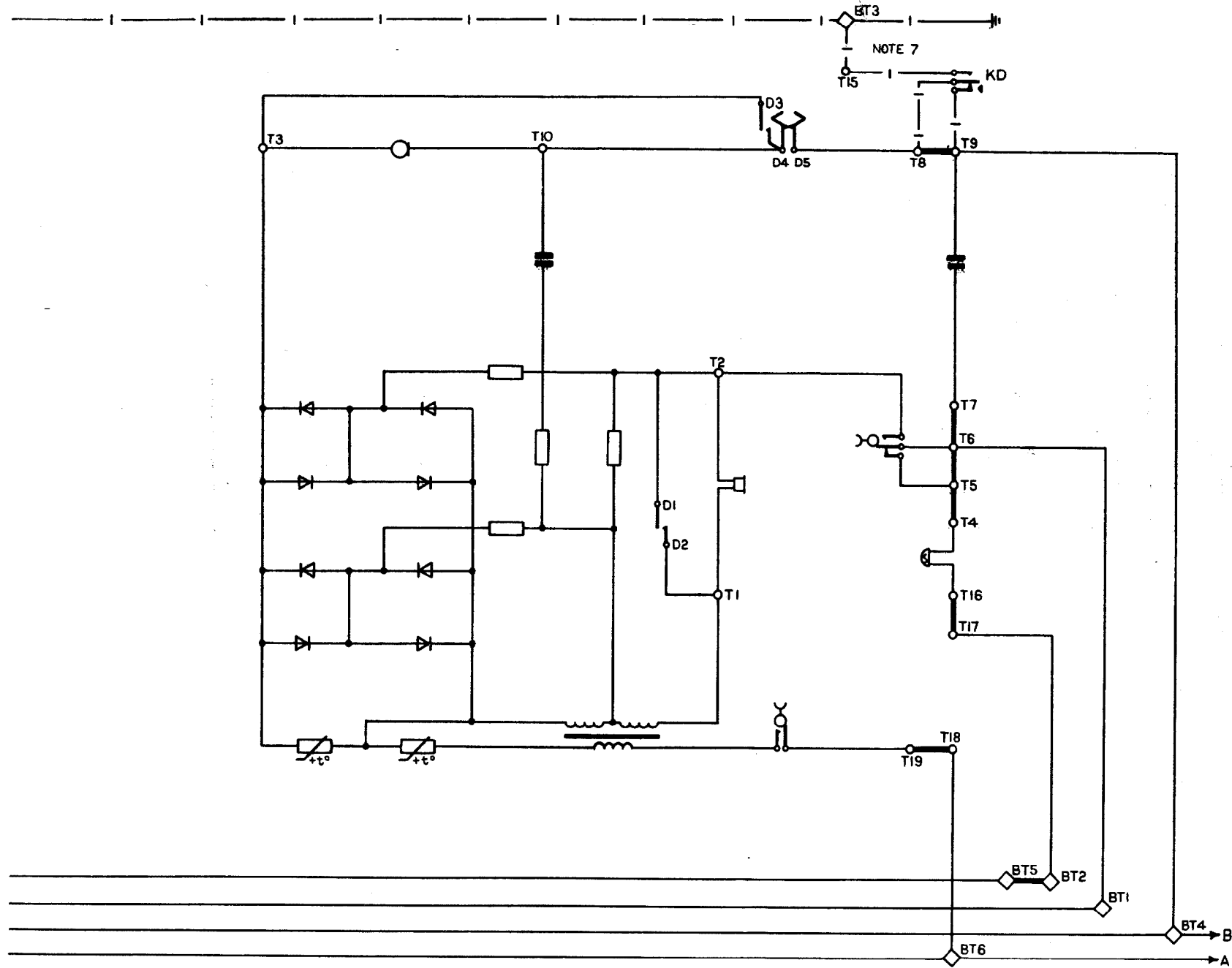
(NOTE 10)

EXTN. WITHOUT PRIVACY (NOTE 8)

TO LAST EXTN. (NOTE 8)

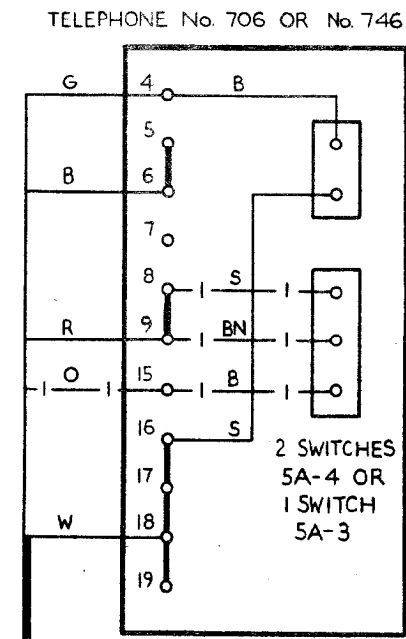




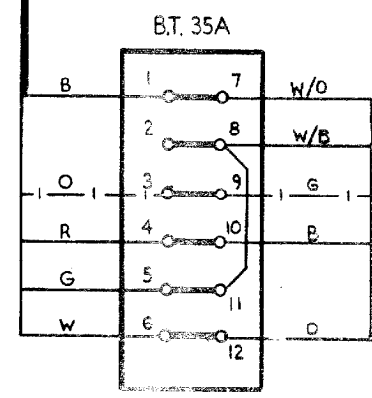


LAST WITHOUT PRIVACY (NOTES 2 & 7)

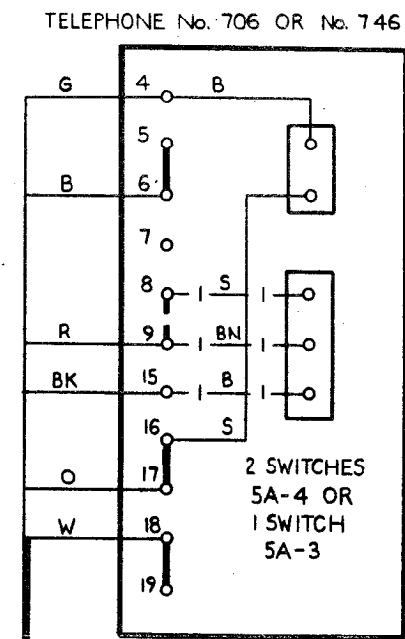
INTERMEDIATE WITHOUT PRIVACY (NOTES 2 & 7)



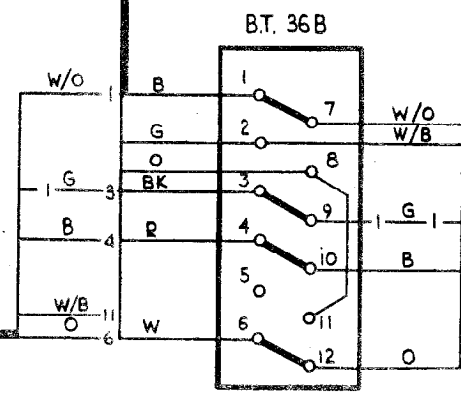
CORD INST 4/121AT...  
OR 6/61AT...



CABLE 8W OR 4W  
(NOTE 6)



CORD INST 6/61AT



CABLE 8W OR 4W  
NOTE 6