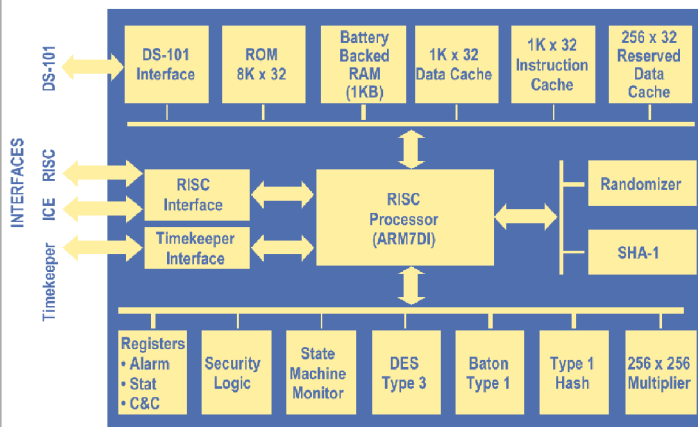


MYK-85 Key Management Unit



A complete, 32-bit RISC-based cryptographic processor with Baton, DES, and Triple DES in hardware

Specifications

- < **Hardware Accelerators:**
 - Baton; SHA-1 and Triple I Hash; DES and Triple DES; 256 x 256 Multiplier; Type 1 Randomizer
- < **Processing Rate:**
 - Type 1: 80 Mbps
 - Type 2: 120 Mbps
- < **Exponentiation Performance**
 - Diffie-Hellman Key Exchange:
 - 512-bit: 7 ms
 - 1024-bit: 29 ms
 - RSA Key Exchange:
 - 512-bit: 10 ms
 - 1024-bit: 38 ms
- < **RISC Processor**
 - 32-bit ARM-7
- < **Package**
 - 176-pin TQFP
- < **System Clock Rate**
 - 32 MHz maximum
- < **Power Dissipation**
 - 6 mW/MHz at 3.3 V DC
- < **Operational Temp. Range**
 - 0 to 70° C
- < **Operating Voltage**
 - VDD = 3.3V ±10%
- < **TTL Compatibility**
 - I/O Compatible; low power

The MYK-85 Key Management Unit cryptographic engine performs Type 1 and Type 3 data encryption and decryption, Type 1 Hash, commercial hash (SHA-1), key generation and exchanges, and other associated cryptographic functions.

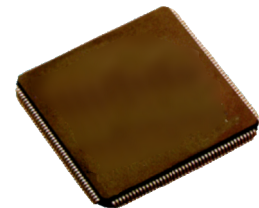
Designed and programmed by Raytheon Secure Information Systems, the MYK-85 features a complete 32-bit RISC-based cryptographic processor.

The Type 1 government encryption/decryption algorithm, called “Baton”—as well as DES and Triple DES—are in hardware. The MYK-85 also implements NIST Digital Signature and Secure Hash Standards.

Features

- Full security evaluation
- 0.5 micron technology, 3.3 V CMOS
- Randomizer Government-approved for Type 1 applications
- ROM storage of all unclassified math functions and algorithm software
- SHA-1 and Type 1 hash
- Battery-backed RAM for storage of a unique serial number
- Baton Accelerator (Type 1)
- Triple DES; DES Accelerator
- DS-101 interface
- 32-bit RISC bus interface
- 8-bit multiplexed address/data bus interface
- In-circuit emulator (ICE) interface
- Timekeeper interface

Subject to change without notice.



Sales/Support Inquiries:
(310) 616-1125
Chuck.McCown@raytheon.com

www.raytheon.com/capabilities/cybersecurity/sis

Raytheon

Customer Success Is Our Mission