

STANDARD FORM NO. 64

**SECRET****Office Memorandum • UNITED STATES GOVERNMENT**

TO : Chief, Research & Development Branch, OC-E      DATE: SP/EA 6-124  
4 June 1956

FROM : Chief, ELINT Activities Branch, OC-SP

SUBJECT: OC-SP/EA Projects

In view of our recent requirements for Signal Control Systems to activate recorders, the following is presented as a review of the priorities to be placed on existing projects as they relate to the Signal Actuate Systems.

2. As a result of conversations between [redacted] (OC-SP/EA),  
[redacted] the specifications for the design of the Signal Actuate Systems will follow primarily those established in the development of the [redacted].  
[redacted] The systems will consist of a timing motor which will allow a recorder to operate for a period of five minutes. This timing motor is to be initiated by a relay contained in the demand circuitry. The demand circuitry is also to provide for switching of the audio signal to the recording head of a Minifon P-55 recorder. Previously, the demand circuitry has been preceded by a transistorized video amplifier, diode pulse stretcher and transistorized audio amplifier. In lieu of the diode stretcher, it is requested that the attached transistorized pulse stretcher (Diagram A) be employed with appropriate video and audio amplification. This circuit is utilized in the Marine Crystal Video System developed [redacted]. The unit is fed by a transistorized 4 mc video amplifier (Diagram B) with an output impedance of 100 ohms followed by a single stage transistorized intermediate amplifier. (Diagram A). This pulse stretcher has unity gain and practically linear stretching. It is felt that the use of this circuitry will eliminate the high losses and noise levels which now result from the use of a diode pulse stretcher.

25X1

25X1

25X1

3. Based on operational commitments, a priority in the following order should be established on existing projects:


- a) Signal Actuated Demand Circuit
- b) Transistorized Reference Oscillator
- c) Transistorized Audio Oscillator
- d) Etched Antennae

DOC	2	REV	2-12-80	008632
ORIG COMP				
ORIG CLASS	5		4	C
JUST	22	NEXT REV	2010	

**SECRET****CONFIDENTIAL**

**SECRET**

Page 2  
SP/EA 6-124

4. In view of the video amplifiers received with the  and those requested above, it is suggested that our outstanding requirement for "video amplifiers" be considered satisfied.

25X1

25X1

5. It is requested that five signal control systems be fabricated and made available to this Branch.

25X1

Attachments

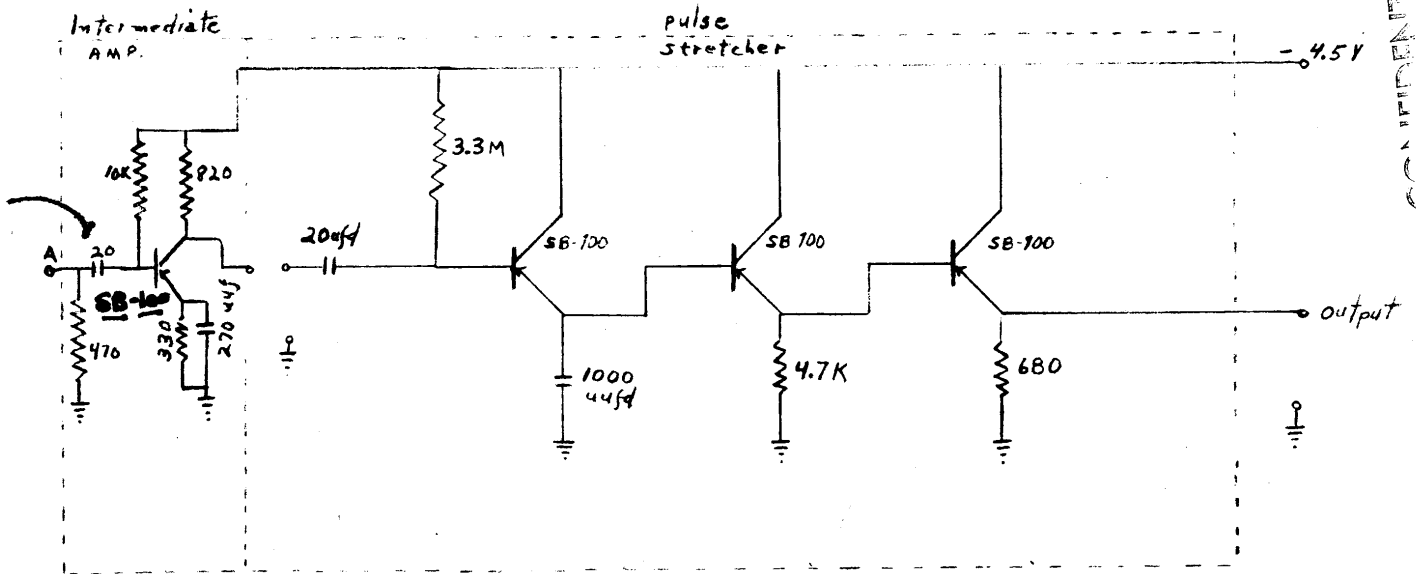
- 1 - Diagram A
- 2 - Diagram B

Distribution

Orig & 1 w/atts - Addressee

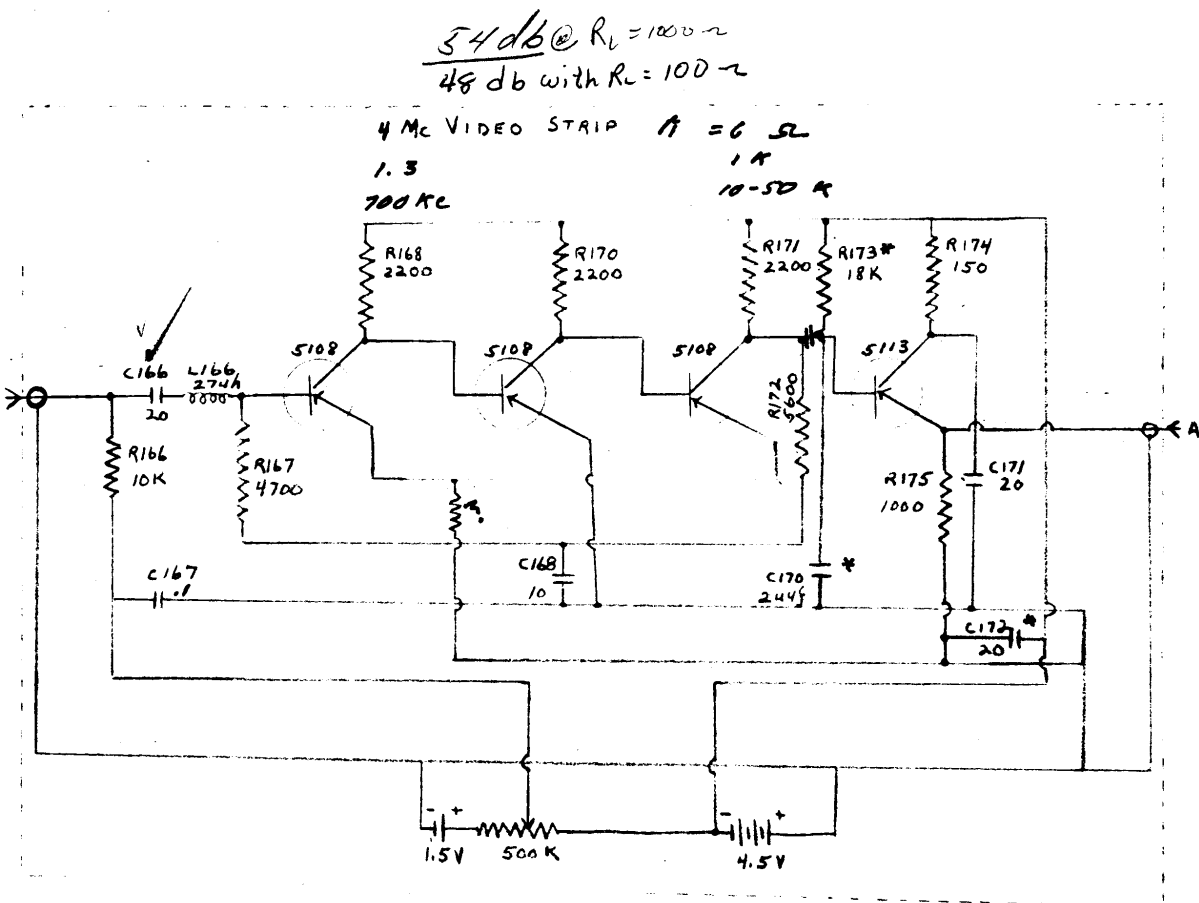
**SECRET**

DIAGRAM "A"



CONFIDENTIAL

DIAGRAM B



CONFIDENTIAL