

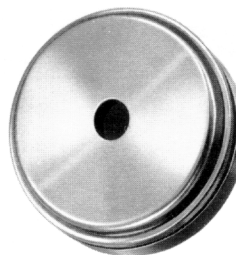
SMALL CONTROLLED MAGNETIC® MICROPHONES

GENERAL

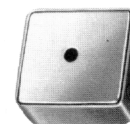
These Shure CONTROLLED MAGNETIC® microphones are specially designed for use in small, compact electronic devices—wherever space is critical and reliability is essential. These models are equally adaptable to portable equipment or powered devices and are ideally suited for use with amplifiers, transmitters, dictating equipment, hearing aids, and all equipment where small size and weight are very important to the application.

The MC Series Microphones are rugged units resistant to varying conditions of heat and humidity. The stability of these microphones is assured by the same design principle used in Shure microphones for many years in military, mobile communication, dictating and recording applications.

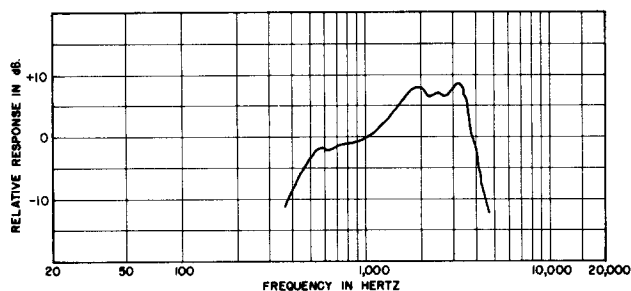
Models MC11J and MC30J have an external Mumetal shield for use under unusual hum conditions. Both models have excellent sensitivity in the frequency range most important for voice transmission. See Figures 1 and 2.



MC11J



MC30J



TYPICAL FREQUENCY RESPONSE

MC30J

FIGURE 2

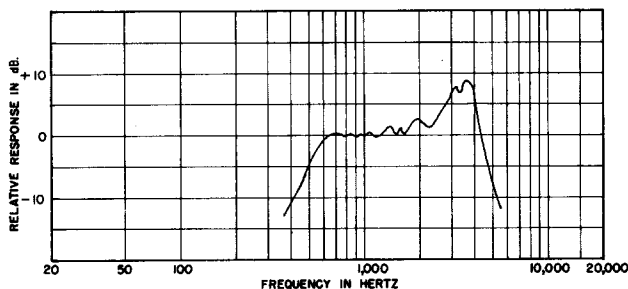
SPECIFICATIONS

Type

CONTROLLED MAGNETIC

Frequency Response

400 to 4,000 Hz (see Figures 1 and 2)



TYPICAL FREQUENCY RESPONSE

MC11J

FIGURE 1

Polar Pattern

Omnidirectional

Actual Impedance (at 1,000 Hz)

MC11J	MC30J
900 ohms	1950 ohms

Load Impedance Range

Minimum: 2000 ohms
 Recommended: 10,000 ohms or higher
 (Lower load impedances will reduce output and affect frequency response, particularly at higher frequencies)

Output Level (at 1,000 Hz)

	MC11J	MC30J
Open Circuit Voltage*	-74.0 dB (.20 mV)	-79.0 dB (.112 mV)
Power Level**	-60.0 dB	-68.0 dB

*0 dB = 1 volt per microbar

**0 dB = 1 milliwatt with 10 microbars

Case

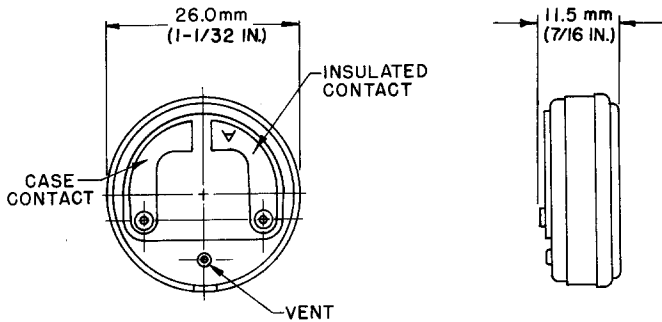
MC11J: Aluminum and Mumetal
MC30J: Zinc plated annealed brass and Mumetal

Net Weight

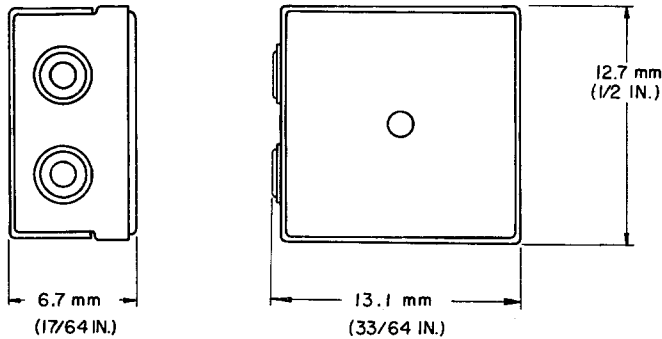
MC11J: 13 grams (.46 oz)
MC30J: 3.5 grams (.12 oz)

Dimensions

See Figures 3 and 4



OVERALL DIMENSIONS
MC11J
FIGURE 3



OVERALL DIMENSIONS
MC30J
FIGURE 4

IMPORTANT

When soldering leads to MC11J and MC30J microphones, make certain a low-wattage soldering iron is used. DO NOT solder leads to the MC11J voice coil area (existing solder); to avoid voice coil damage, solder leads to the unused copper foil areas.

GUARANTEE

This Shure product is guaranteed in normal use to be free from electrical and mechanical defects for a period of one year from date of purchase. Please retain proof of purchase date. This guarantee includes all parts and labor. This guarantee is in lieu of any and all other guarantees or warranties, express or implied, and there shall be no recovery for any consequential or incidental damages.

SHIPPING INSTRUCTIONS

Carefully repack the unit, have it insured, and return it prepaid to:

Shure Brothers Incorporated
Attention: Service Department
222 Hartrey Avenue
Evanston, Illinois 60204

If outside the United States, return the unit to your dealer or Authorized Shure Service Center for repair. The unit will be returned to you prepaid.